

durables[®]

Vinyl Fence

Installation Guide

Always consult the following installation instructions as well as the CAD diagrams when installing your fence.

Thank you for choosing a Durables Fence! We are proud to provide the highest quality vinyl fencing available and are fully committed to providing you with superior service from the very first time we work together to long after we've delivered your product. This guide is intended to help make your installation easy. If you have any questions, please give us a call at 1-866-719-5782 and welcome to Durables.

IMPORTANT TIPS

1. Be sure to thoroughly review these instructions before beginning to install your fence.
2. Prior to purchase and installation, check with your local regulatory agency for special code requirements in your area and contact your utility supplier to locate and mark underground lines before digging.
3. Sketch out the layout of your fence and calculate the number of panels, gates and posts required (to finish a fence run, one extra post is needed). Careful planning and measuring of your fence is essential, since it is not possible to move the posts after the concrete sets.
4. Measure and assemble your gates first to determine the width of the gate opening (including space for hardware). Be sure to allow enough clearance on the bottom of the gate to allow it to close correctly. Failure to do so may result in a poor installation of the entire fence since the gate will set the height for the rest of the fence.
5. When installing your fence or gate, we recommend installing 1 post and section at a time.
6. We recommend allowing a minimum 2" clearance between the bottom of the panel and the ground. Resting the bottom rail on a 2x4 to keep it level while assembling the panel, will also make it easier to insert the pickets.
7. We do not recommend gluing post caps in the event you want to upgrade to a different style or need to replace batteries or wiring at a later time. Instead, use a small amount of clear silicone on the inside corner of post cap to secure the cap to the post.

MAINTENANCE

Like all outdoor products, vinyl fencing will have dirt exposure from atmospheric conditions. Ordinarily, normal rainfall will be adequate to wash the vinyl. If a more thorough cleaning is required, follow these simple instructions:

1. To clean the fence, simply wash it down with soap and water.
2. For hard to remove dirt, clean the fence using a formula of 1/3 cup powdered detergent, 2/3 cup household cleaner and 1 gallon water. Rinse thoroughly.
3. For stain removal, you may use lacquer thinner or soft scrub with bleach. Do not scrub vigorously as this may damage the finish. Be sure to rinse thoroughly with water immediately after using either of these.

Layout & Post Installation

Step 1 The location of your gate will determine the layout of the posts for the fence line. The width of your gate will determine the spacing between your gate posts. It is important to assemble your gate first to get that measurement, that gate width plus the space needed for your gate hardware to function correctly will determine the distance between the gate posts. The next few pages will show you how to assemble your gate and determine the spacing needed for your gate hardware.

Step 2 To make sure your fence run is straight, install line stakes and run a string line. The string line should be positioned on the side of the posts and be very tight.

Step 3 Use a tape measure and mark the location for each post. Most posts are to be installed 72" or 96" from center of post to center of post.
Tip: The width of all of our fence panels can be reduced.

Step 4 Remove the string line, leaving the stakes and dig the post holes. If installing with concrete, 5" posts will need a 12" diameter hole. For 4" posts you will need 10" diameter hole. The recommended depth of holes is 30" - 36".
Tip: If installing with Fast2K concrete alternative, 5" posts will need a 8" diameter hole and 4" posts will need a 6" in diameter hole. We recommend the depth of the holes be 30"-36".

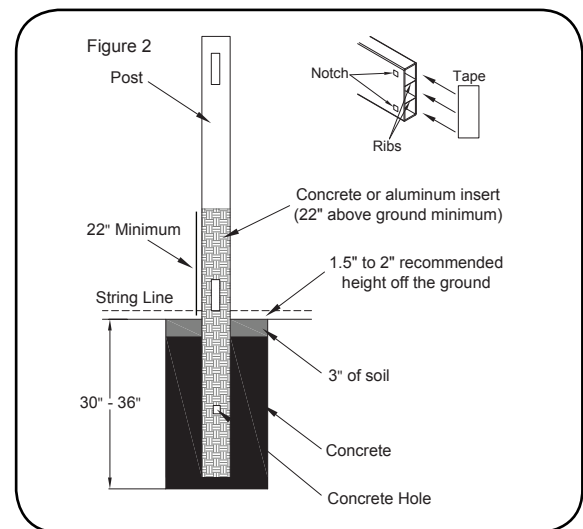
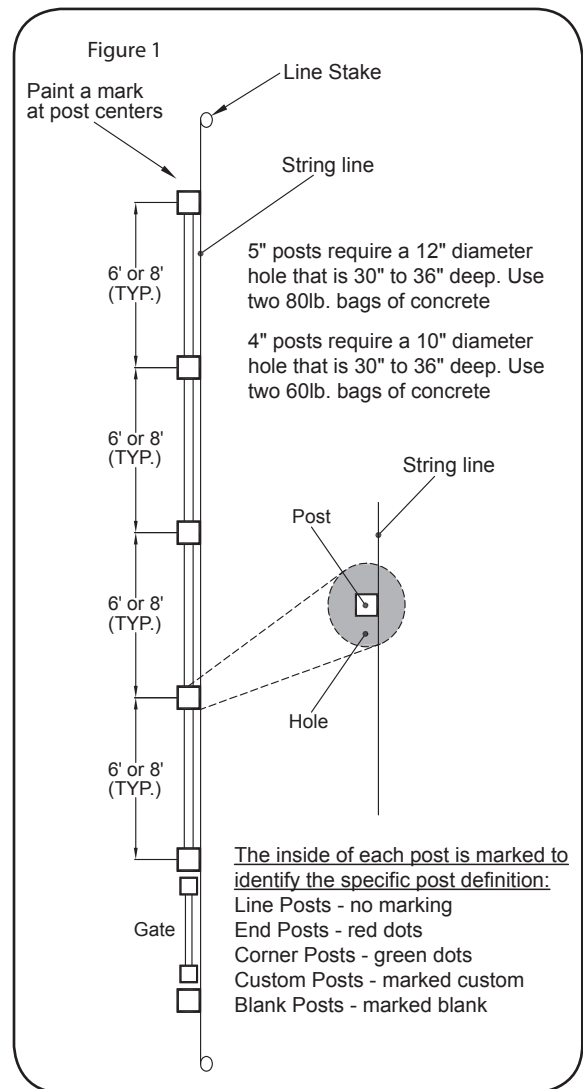
Step 5 Next reattach the string line to the stakes and place a post in each hole. As you set the posts, use the string line to ensure the fence line is straight. (See figure 1).

Step 6 Next, mix the concrete and fill the hole around the post with concrete to 3" below ground level ensuring that the post is level and plumb. Best practice is to use two 80 lb. bags of Quickcrete for each 5" post or two 60 lb. bags for each 4" post.

TIPS: Drill a hole (1/4" bit) in the middle of the underside of each rail to allow water to escape.

ADDITIONAL STEPS REQUIRED FOR FENCES OVER 6' TALL OR HIGH WIND AREAS

If your fence is over 6' tall or located in a high wind area, you must reinforce the post with either concrete or an aluminum insert to at least 22" above grade. If you choose concrete, fill the inside of the post AFTER THE PANELS ARE INSTALLED. Prior to installing the panels into the posts, tape the lower rail to prevent concrete backflow. If using aluminum inserts, be sure to install them prior to installing the panels. For additional high wind installation instructions, please see page 13.

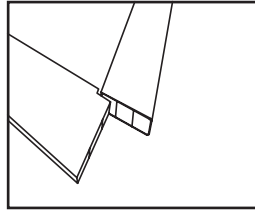


Gate Assembly

durables[®]

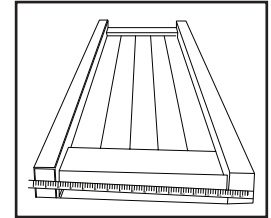
Step 1

Always start by doing a "Dry Fit" test. Do not use glue for the initial "Dry Fit" assembly. This allows for any necessary adjustments. (Hint: If you have a privacy fence be sure to remember to install the u-channel)



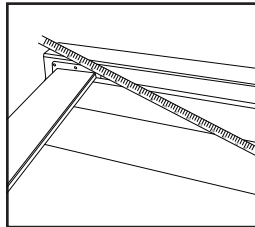
Step 2

Once assembly is complete, measure to confirm the gate is the same width on the top and bottom.



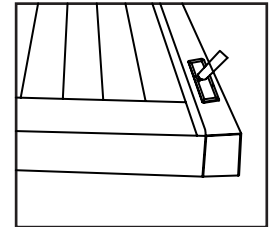
Step 3

Cross measure the gate diagonally both ways to make sure the measurements are the same or within an 1/8" difference. Be sure to read the same side of the tape measure. Failure to do so will result in the wrong measurement. Make any adjustments necessary before moving to next step.



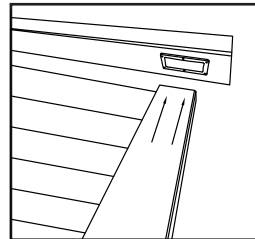
Step 4

Leaving the panel assembled, carefully remove the rails from the socket posts. Turn the first socket post up and run a 1/8" bead of vinyl glue (included) around the inner rim of the socket approximately 1/4" down.



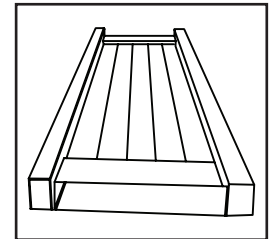
Step 5

After placing the glue in the pockets of the first gate post, flip it down and quickly and firmly insert the rails into the pockets. The adhesive will set in about 45-60 second.



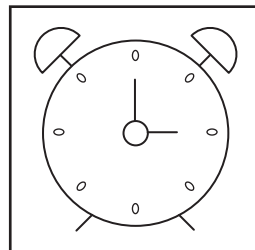
Step 6

Quickly repeat steps 4 & 5 for the other post. This may take some assistance to do before the adhesive begins to set.



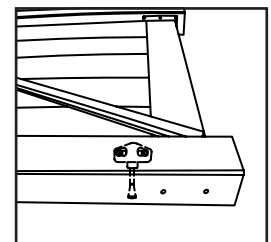
Step 7

Quickly repeat steps 2 & 3. Allow the glue to dry for one hour.



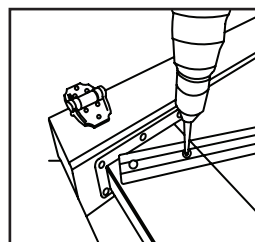
Step 8

Cut and install the cross brace. The brace should run at an angle starting at the lower corner of the gate on the hinge side and run at an upward angle towards the top. Be sure to secure the cross brace to the rails (not the posts).



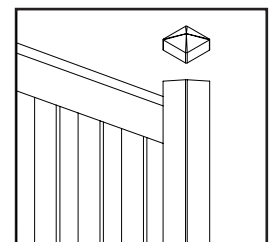
Step 9

Pre-drill three holes into the top and bottom of the cross brace only. DO NOT pre-drill into the gate. Attach the angle brace using two of the provided self-tapping screws at each end of the gate. Please note, 8 ft. high panels require 2 cross braces. See CAD for placement.



Step 10

Install post caps on the tops of the gate socket posts, using a small amount of clear silicone on the inside corner of post cap to hold it in place.

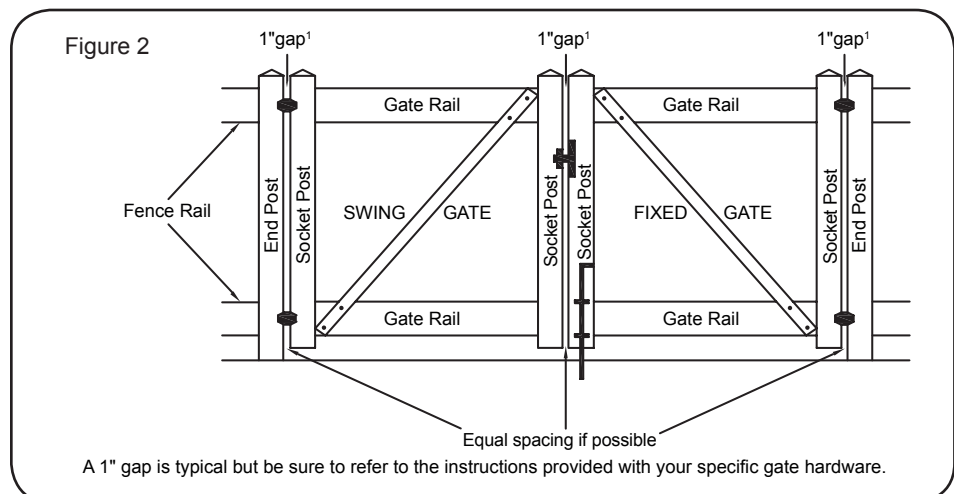
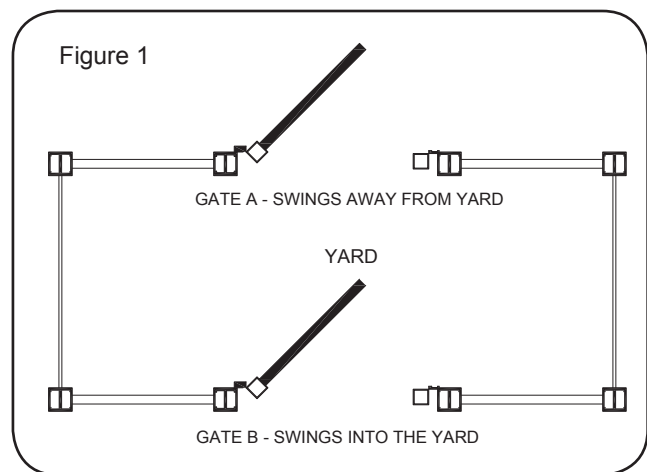


TIPS

- Be sure your gate posts are set with the correct rough opening to accommodate the assembled gate and hardware. As a general rule, the hinge and the latch require a 1" gap each. An additional 1" gap is required for a double gate. Be sure to refer to the gate hardware installation instructions for your specific hardware.
- Mount the gate flush with the side of the fence that the gate will be swinging on. See Figure 1 below.
- Be sure the gate positioning allows it to clear obstructions such as snow and large post cap profiles.
- The gate posts may be cut on site as needed. If cutting the gate posts off at the bottom, DO NOT cut into the gate pocket.

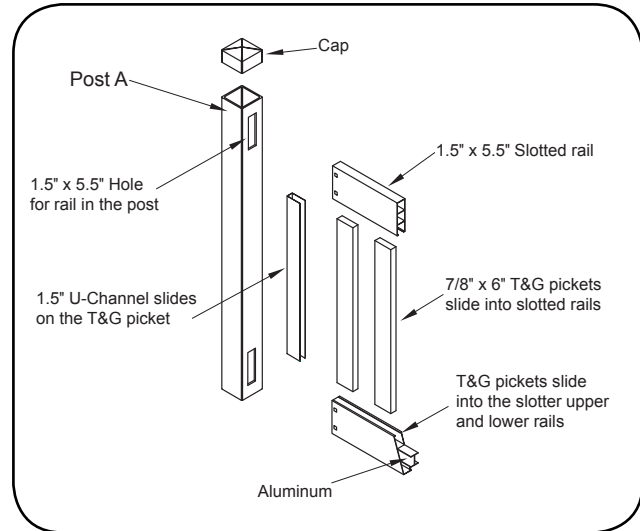
GATE INSTRUCTIONS

- Step 1** Determine the direction the gate is going to swing, typically it swings into yard. Be sure to check your local codes!
- Step 2** If you have aluminium post inserts, install them prior to the installation of the gate. If you do not have inserts, you must fill the hinge post with concrete and re bar after installing the gate.
- Step 3** Locate and follow the gate hardware installation instructions.
- Step 4** For double gates, install the drop rod to the socket post of the fixed gate. See Figure 2.



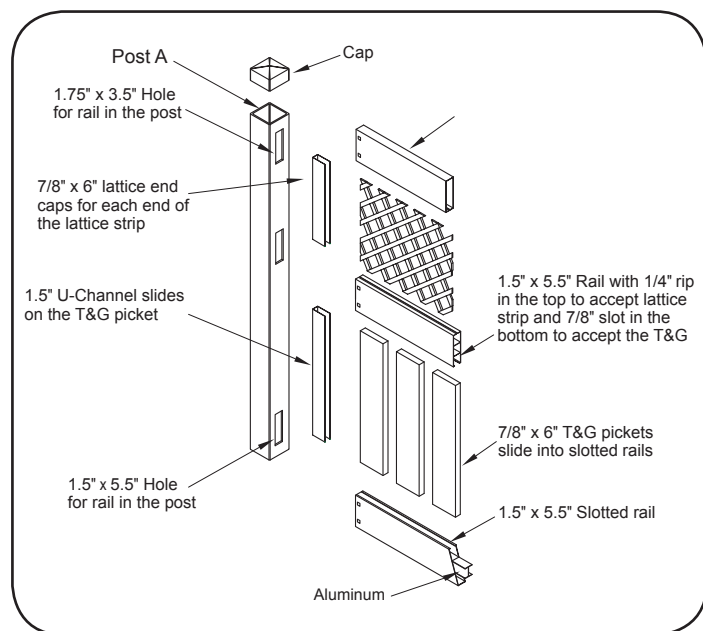
Solid Privacy

1. Follow the layout and post installation instructions above.
2. Install the 1st post (post A) with concrete around the post. Be sure to level and plumb.
3. Have another post (post B) sitting in the adjacent hole.
4. Slide the bottom rail (rail with aluminum insert) and top rail into post A.
5. Slide the T&G pickets between the bottom and top rails until the panel is complete. Be sure to slide a u-channel on the first and last picket.
6. Insert the bottom rail and then the top rail into the second post (post B).
7. Pour concrete around post B to about 3 inches below ground level and level and plumb.
8. If there is a small gap at each end, position the u-channels to cover any gaps.



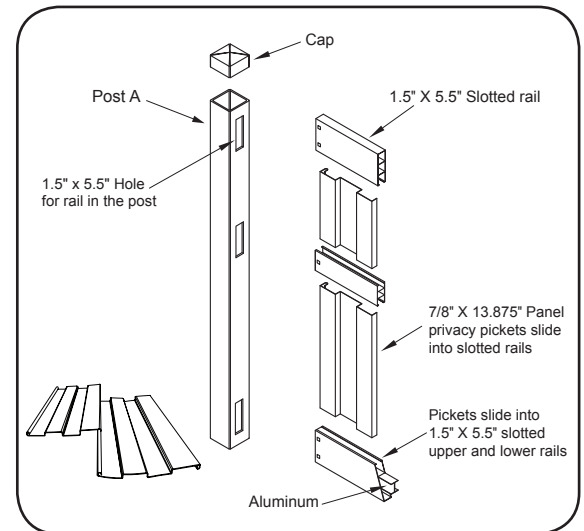
Solid Privacy with Lattice

1. Follow the layout and post installation instructions above.
2. Install the 1st post (post A) with concrete around the post. Be sure to level and plumb.
3. Have another post (post B) sitting in the adjacent hole.
4. Slide the bottom rail (rail with aluminum insert) and the mid-rail into post A.
5. Slide the T&G pickets between the bottom and mid-rails until this portion of the panel is complete. Be sure to slide a u-channel on the first and last picket.
6. Insert the bottom rail into post B.
7. Insert the top rail into post A.
8. Slide the lattice strip between the mid-rail and the top rail. Add the lattice end caps on each end of the lattice.
9. Insert the mid-rail and top rail into the second post (post B).
10. Pour concrete around post B to about 3 inches below ground level and level and plumb.
11. If there is a small gap at each end, position the u-channels to cover any gaps.



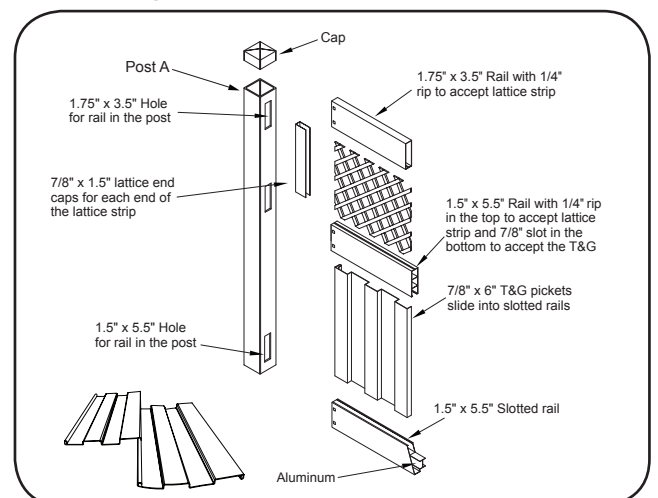
Solid Panel Privacy with Mid-Rail

1. Follow the layout and post installation instructions above.
2. Install the 1st post (post A) with concrete around the post. Be sure to level and plumb.
3. Have another post (post B) sitting in the adjacent hole.
4. Slide the bottom rail (the rail with the aluminum) and mid rail into post A.
5. Slide one of the panel privacy pickets (13.875" wide) between the bottom and the mid rail - leaving some of the panel privacy picket extending outside of the rails. Be sure to lead with the narrower side of the picket.
6. The end of the panel privacy pickets have a "C" shape allowing them to lock together. To install, hold a second panel privacy picket above the first panel privacy picket and then slide down to lock them together. Slide them in as a unit and repeat until the panel is complete.
7. Insert the top rail in post A.
8. Repeat steps 5 & 6 to insert the pickets between the top and mid rails. **IMPORTANT TIP:** Be sure to install the panel privacy pickets exactly the same way you installed the pickets between the bottom and mid-rail so that the panel maintains a consistent appearance. Be sure to do this all the way down the fence line.
9. Once the panel is fully assembled, insert the bottom rail, then the mid and top rail into the second post (post B)
10. Pour concrete around post B to about 3 inches below ground level and level and plumb.



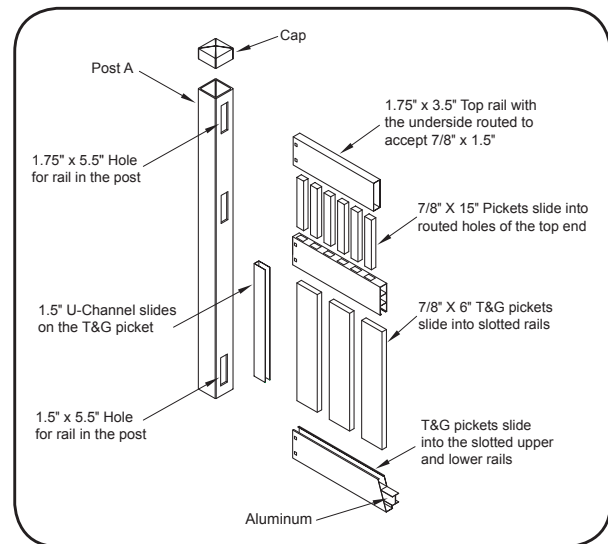
Solid Panel Privacy with Lattice

1. Follow the layout and post installation instructions above.
 2. Install the 1st post (post A) with concrete around the post. Be sure to level and plumb.
 3. Have another post (post B) sitting in the adjacent hole.
 4. Slide the bottom rail (the rail with the aluminum) and mid rail into post A.
 5. Slide one of the panel privacy pickets (13.875" wide) between the bottom and the mid rail - leaving some of the panel privacy picket extending outside of the rails. Be sure to lead with the narrower side of the picket.
 6. The end of the panel privacy pickets have a "C" shape allowing them to lock together. To install, hold a second panel privacy picket above the first panel privacy picket and then slide down to lock them together. Slide them in as a unit and repeat until the panel is complete.
- IMPORTANT TIP:** Be sure to install the pickets exactly the same way for each fence panel so that you maintain a consistent appearance down the entire fence line.
7. Insert the bottom rail into post B.
 8. Insert the top rail in post A.
 9. Slide the lattice strip between the mid-rail and the top rail. Add the lattice end caps on each end of the lattice.
 10. Slide the mid-rail and top rail into the second post (post B).
 11. Pour concrete around post B to about 3 inches below ground level and level and plumb.



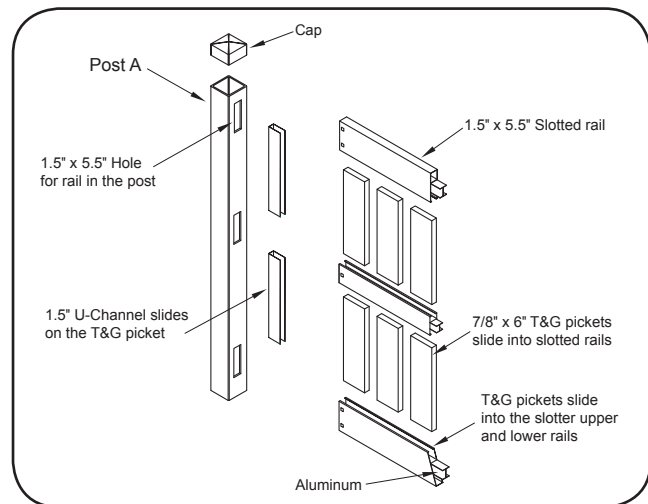
Solid Privacy with a Closed Spindle Top

1. Follow the layout and post installation instructions above
2. Install the 1st post (post A) with concrete around the post. Be sure to level and plumb.
3. Have another post (post B) sitting in the adjacent hole.
4. Slide the bottom rail (rail with aluminum insert) and the mid-rail into post A.
5. Slide the T&G pickets between the bottom and mid-rails until this portion of the panel is complete. Be sure to slide a u-channel on the first and last picket.
6. Insert the spindles in the routed holes in the mid-rail.
7. Slide the top rail into post A with the opposite end (at post B) angled upward towards the sky. Holding the top rail at an upward angle, slowly line the spindles up with the routed holes in the top rail while lowering the rail into place.
8. Once the panel is fully assembled, slide the bottom rail, then the mid and top rail into the second post (post B)
9. Pour concrete around post B to about 3 inches below ground level and level and plumb.
10. If there is a small gap at each end, position the u-channels to cover any gaps.



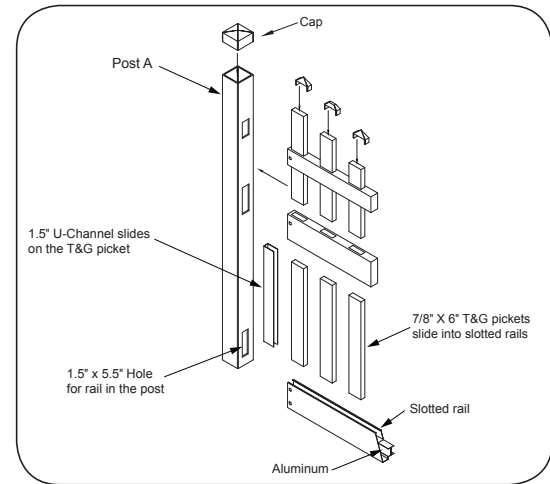
Solid Privacy with Mid-Rail

1. Follow the layout and post installation instructions above.
2. Install the 1st post (post A) with concrete around the post. Be sure to level and plumb.
3. Have another post (post B) sitting in the adjacent hole.
4. Slide the bottom rail and the mid-rail into post A.
5. Slide the T&G pickets between the bottom and mid-rails until the bottom half of the panel is complete. Be sure to slide a u-channel on the first and last picket.
6. Slide the top rail into post A, then repeat the process above to install the pickets between the mid and top rail.
7. Once the panel is fully assembled, slide the bottom rail, then the mid and top rail into the second post (post B).
8. Pour concrete around post B to about 3 inches below ground level and level and plumb.
9. If there is a small gap at each end, position the u-channels to cover any gaps.



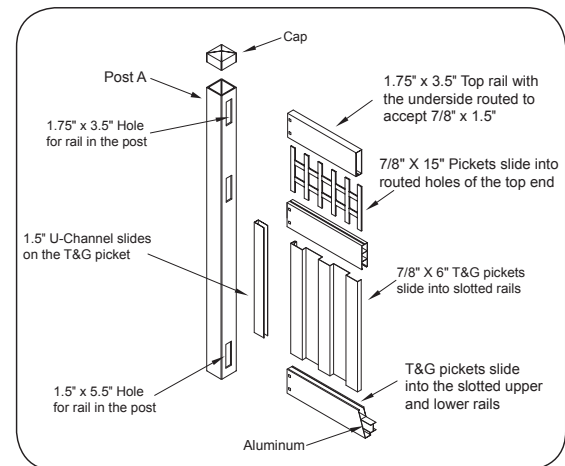
Solid Privacy with an Open Picket Top

1. Follow the layout and post installation instructions above
2. Install the 1st post (post A) with concrete around the post. Be sure to level and plumb.
3. Have another post (post B) sitting in the adjacent hole.
4. Slide the bottom rail (rail with aluminum insert) and the mid-rail into post A.
5. Slide the T&G pickets between the bottom and mid-rails until this portion of the panel is complete. Be sure to slide the U-channel onto the first and last picket.
6. Slide the top rail into post A. The larger routed holes in the top-rail should face the ground.
7. Once this portion of the panel is complete, insert the bottom rail and then the mid and top rails into the second post (post B).
8. Pour concrete around post B to about 3 inches below ground level and level and plumb.
9. If there is a small gap between the pickets and the post at each end, position the u-channels to cover any gaps.
10. Lay the spindles out on the ground to create the desired look. Be sure to refer to the CAD diagram for proper placement.
11. Insert the spindles with the notched side down through the routed holes in the top rail and into the mid-rail.
12. Place a small drop of glue on the inside of each spindle and set the picket cap in place.



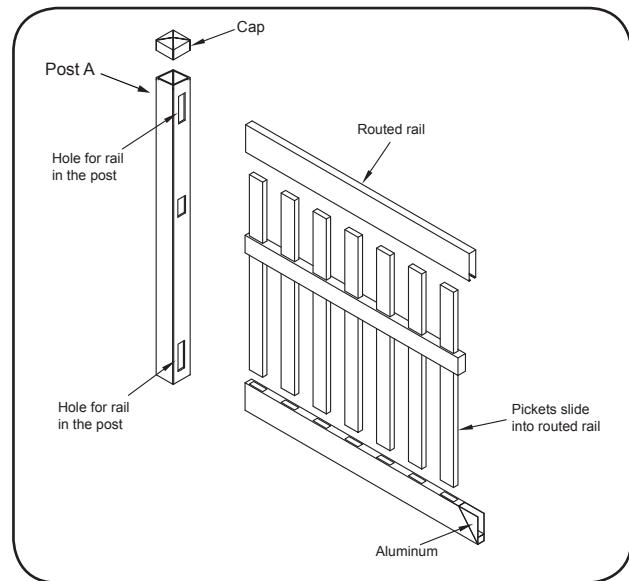
Solid Privacy with 3D Square Lattice

1. Follow the layout and post installation instructions above
2. Install the 1st post (post A) with concrete around the post. Be sure to level and plumb.
3. Have another post (post B) sitting in the adjacent hole.
4. Slide the bottom rail (rail with aluminum insert) and the mid-rail into post A.
5. Slide the T&G pickets between the bottom and mid-rails until this portion of the panel is complete. Be sure to slide a U-channel on the first and last picket.
6. Layout and assemble the lattice topper on the ground by sliding the long horizontal picket through the routed vertical spindles. Note, the two spindles on the outer edges are only routed on one side.
7. Insert the spindles in the lattice topper into the routed holes in the mid-rail.
8. Slide the top rail into post A with the opposite end (at post B) angled upward towards the sky. Holding the top rail at an upward angle, slowly line the spindles up with the routed holes in the top rail while lowering the rail into place.
9. Once the panel is fully assembled, slide the bottom rail and then the mid and top rail into the second post (post B).
10. Pour concrete around post B to about 3 inches below ground level and level and plumb.



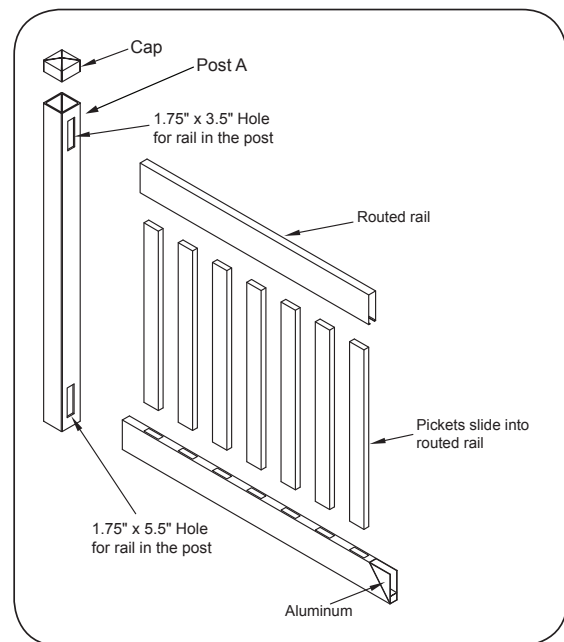
Semi-Privacy and Pool with a Mid-Rail

1. Follow the layout and post installation instructions above.
2. Install the 1st post (post A) with concrete around the post. Be sure to level and plumb.
3. Have another post (post B) sitting in the adjacent hole.
4. Slide the bottom rail (the rail with the aluminum) and mid rail into post A. The mid rail will have routed holes on the top and bottom of the rail. The larger routed holes should face towards the ground.
5. Insert the pickets down through the mid-rail and into the routed holes in the bottom rail.
6. Slide the bottom rail into the second post (post B).
7. Next, the top rail into post A with the opposite end (at post B) angled upward towards the sky. Holding the top rail at an upward angle, slowly line the pickets up with the routed holes in the top rail while lowering the rail into place.
8. Once the panel is fully assembled, slide the mid-rail and then the top rail into the second post (post B).
9. Pour concrete around post B to about 3 inches below ground level and level and plumb.



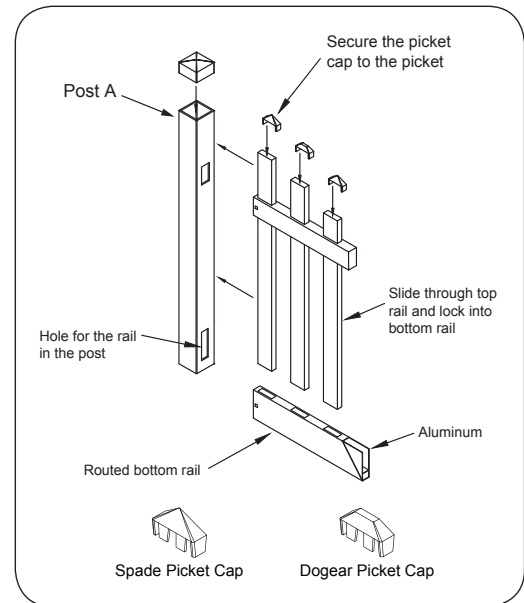
Pool without a Mid-Rail

1. Follow the layout and post installation instructions above.
2. Install the 1st post (post A) with concrete around the post. Be sure to level and plumb.
3. Have another post (post B) sitting in the adjacent hole.
4. Slide the bottom rail (the rail with the aluminum) into post A.
5. Insert the pickets into the routed holes in the bottom rail.
6. Slide the top rail into post A with the opposite end (at post B) angled upward towards the sky. Holding the top rail at an upward angle, slowly line the pickets up with the routed holes in the top rail while lowering the rail into place.
7. Once the panel is fully assembled, slide the bottom rail and then to top rail into the second post (post B).
8. Pour concrete around post B to about 3 inches below ground level and level and plumb.



Picket

1. Follow the layout and post installation instructions above.
2. Install the 1st post (post A) with concrete around the post. Be sure to level and plumb.
3. Have another post (post B) sitting in the adjacent hole.
4. Slide the bottom rail (the rail with the aluminum) and then the top rail into the first post (post A). The top rail will have routed holes on the top and bottom of the rail. The larger routed holes should face towards the ground.
5. Next, slide the bottom rail and then the top rail into the second post (post B)
6. Pour concrete around post B to about 3 inches below ground level and level and plumb.
7. After all rails are installed, insert the pickets with the notched side down through the routed holes in the top rail and into the bottom rail.
8. Finally, place a picket cap on top of each picket using a thin bead of glue on the inside of the picket to secure the cap.

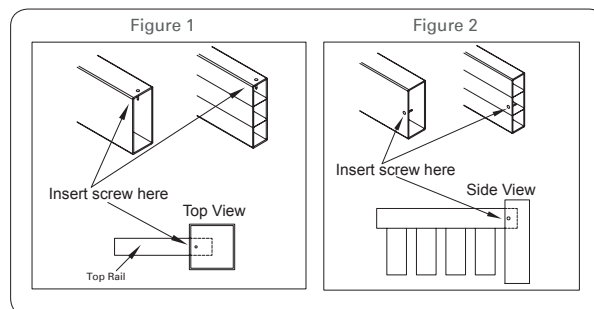


SHORTENING PANELS

- When shortening a picket fence, semi-privacy, pool or privacy fence with a picket accent, be sure the placement of the cuts allows the panel to maintain the proper picket spacing. Depending on the fence style, you may not necessarily cut the same distance off each side of the rail.
- The T&G and Panel Privacy pickets may be cut to reduce the width of the panel if needed.
- If eliminating pickets from a "scalloped" panel, be sure to create the scalloped or sloped look of the original panel when inserting the pickets.

SECURING SHORTENED PANELS

- To replace the notches in a top rail, insert a stainless steel screw through the top of the rail so that the head of the screw rest close to the inside wall of the post. This should be done after installing the fence panel, but before securing the post cap. See Figure 1.
- To replace the notches in a bottom rail, insert a screw into the front face of the rail about 1" from the end of the rail. See Figure 2. While inserting the rail into the post, use applied pressure from your thumbs to deflect or "bow in" the face of the rail enough so that the head of the screw passes through the routed opening of the post.
- To replace notches in the mid-rail, insert the screw through the top of the mid-rail, if it is accessible through the top of the post. If the mid-rail is not accessible through the top of the post, use the method described for the bottom rail above.



High Wind Installation

All of our vinyl privacy fence panels (up to 6' in height) have been engineered and tested to accommodate high wind loads. In order to withstand high wind loads, the additional installation steps below must be followed. Please note, testing completed on a 6' x 8' size panel confirms that all tongue and groove picket privacy fences 6' and shorter will accommodate high wind loads.

High Wind Installation WITHOUT Fasteners:

Below are the wind loads tested without any fasteners connecting the pickets to the rails:

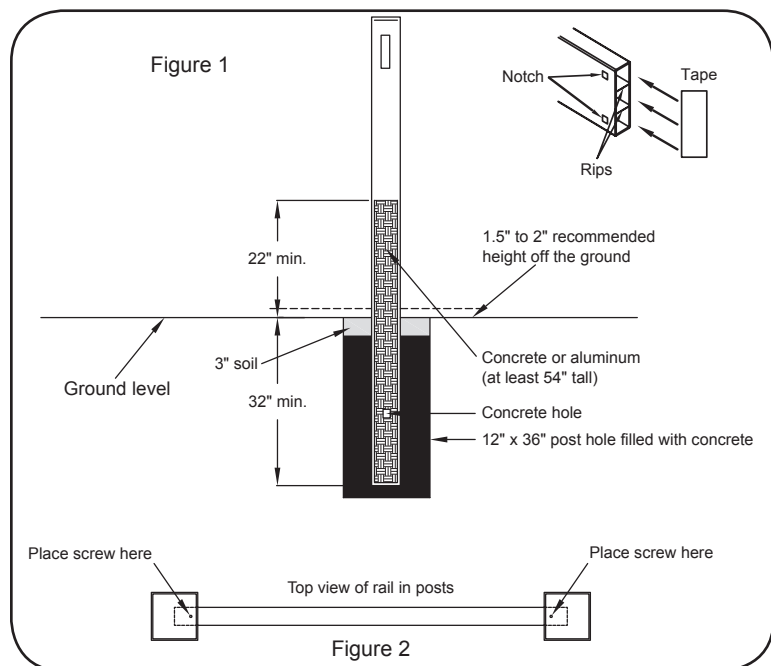
All other T&G privacy fence styles: 90mph sustained winds up to 110mph wind gusts

Panel Privacy: 100mph sustained winds up to 116mph wind gusts

Panel Privacy w. Lattice: 70mph sustained winds up to 84mph wind gusts

Step 1 Reinforce each post to at least 22" above ground with either an aluminum insert (prior to installing the fence) OR fill each post with concrete (after installing the fence) as shown in figure 1. If using concrete, be sure to tape off the rails to prevent it from flowing into the rail. If reinforcing the post with an aluminum insert, the insert can be shipped from the factory already cut to size.

Step 2 Install a #10 x 1" self-tapping stainless steel screw inside the post on each side of the top rail (see figure 2 below). #10 x 1" screws may be purchased from us or a local hardware store

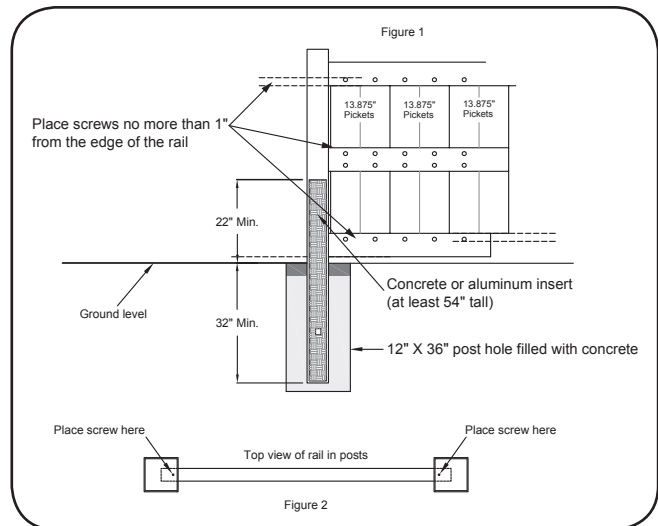


High Wind Installation WITH Fasteners:

If higher wind load capacity is required, follow the installation instructions found below. It is only necessary to install fasteners on one side of the fence panel. Screws may be purchased from us or a local hardware store. Since these screws are visible on the exterior of the fence panel, we recommend installing screw cap covers.

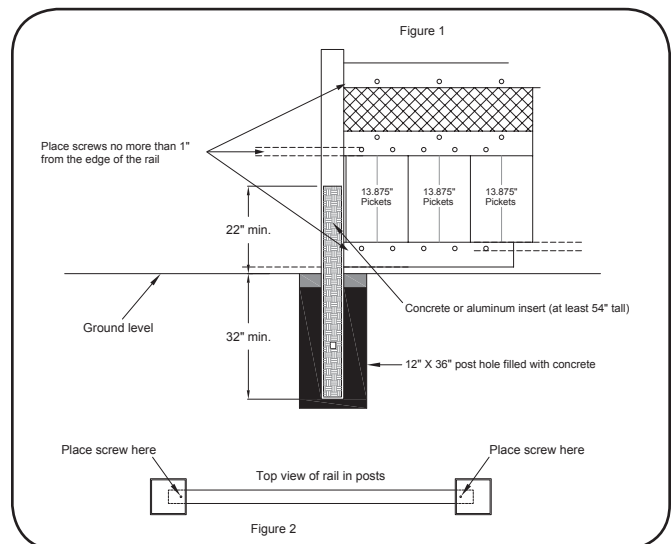
Panel Privacy - 120 MPH sustained winds with gusts up to 137 MPH

- Step 1** Reinforce each post to at least 22" above ground with either an aluminum insert (prior to installing the fence) OR fill each post with concrete (after installing the fence) as shown in figure 1. If using concrete, be sure to tape off the rails to prevent it from flowing into the rail.
- Step 2** Install four #10 x 1" self-tapping stainless steel screw into each 13.875" wide picket, using 2 screws to secure the picket to the top rail and 2 screws to secure the picket to the mid-rail. Screws should be placed no more than 1" from the top or bottom of the rail. Be careful not to over tighten the screws.
- Step 3** Repeat step 2 to secure the pickets between the mid-rail and the bottom rail.
- Step 4** Next, install a screw inside the post on each side of the top rail as seen in figure 2.



Panel Privacy with Lattice - 110 MPH sustained winds with gusts up to 130 MPH

- Step 1** Reinforce each post to at least 22" above ground with either an aluminum insert (prior to installing the fence) OR fill each post with concrete (after installing the fence) as shown in figure 1. If using concrete, be sure to tape off the rails to prevent it from flowing into the rail.
- Step 2** Install four #10 x 1" self-tapping stainless steel screw into each 13.875" wide picket, using 2 screws to secure the picket to the mid-rail and 2 screws to secure the picket to the bottom rail. Screws should be placed no more than 1" from the top or bottom of the rail. Be careful not to over tighten the screws.
- Step 3** To secure the lattice accent, install additional screws approximately 10" apart in the top rail and the mid-rail, being sure the screws goes through the rail and into the lattice.
- Step 4** Next, install a screw inside the post on each side of the top rail as seen in figure 2.

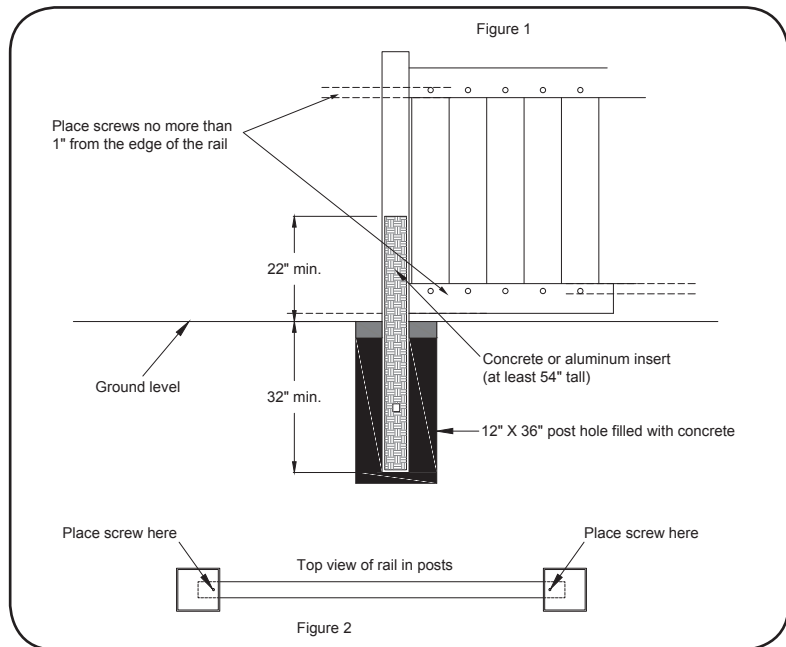


T&G Privacy - 110 MPH sustained winds with gusts up to 130 MPH

Step 1 Reinforce each post to at least 22" above ground with either an aluminum insert (prior to installing the fence) OR fill each post with concrete (after installing the fence) as shown in figure 1. If using concrete, be sure to tape off the rails to prevent it from flowing into the rail.

Step 2 Install one #10 x 1" self-tapping stainless steel screw into the top and bottom of each 6" wide picket to secure the picket to the top and the bottom rails. Screws should be placed no more than 1" from the top or bottom of the rail. Be careful not to over tighten the screws.

Step 3 Install a screw inside the post on each side of the top rail as seen in figure 2.



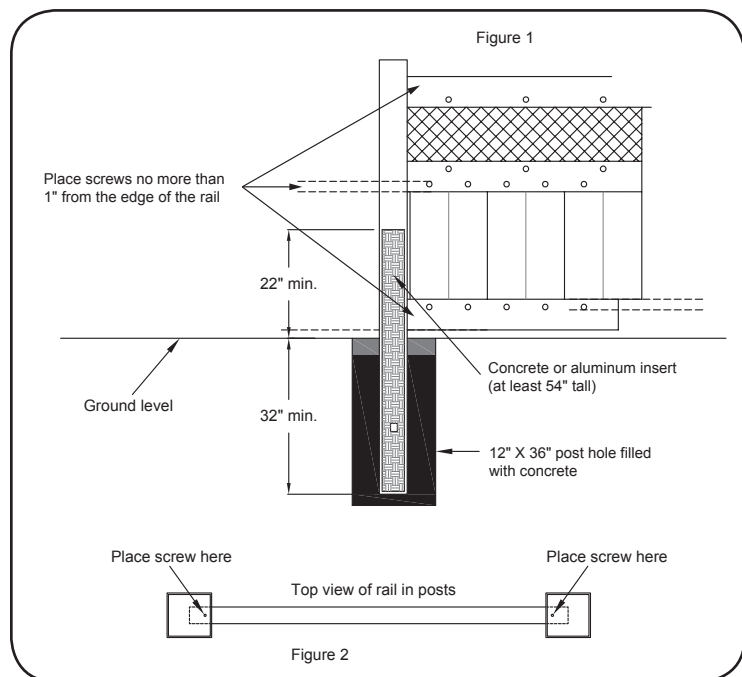
T&G Privacy with Lattice Accent - 110 MPH sustained winds with gusts up to 130 MPH

Step 1 Reinforce each post to at least 22" above ground with either an aluminum insert (prior to installing the fence) OR fill each post with concrete (after installing the fence) as shown in figure 1. If using concrete, be sure to tape off the rails to prevent it from flowing into the rail.

Step 2 Install one #10 x 1" self-tapping stainless steel screw into the top and bottom of each 6" wide picket to secure the picket to the bottom and mid-rails. Screws should be placed no more than 1" from the top or bottom of the rail. Be careful not to over tighten the screws.

Step 3 To secure the lattice accent, install additional screws approximately 10" apart into the top rail and the mid-rail, being sure the screw goes through the rail into the lattice.

Step 4 Install a screw inside the post on each side of the top rail as seen in figure 2.



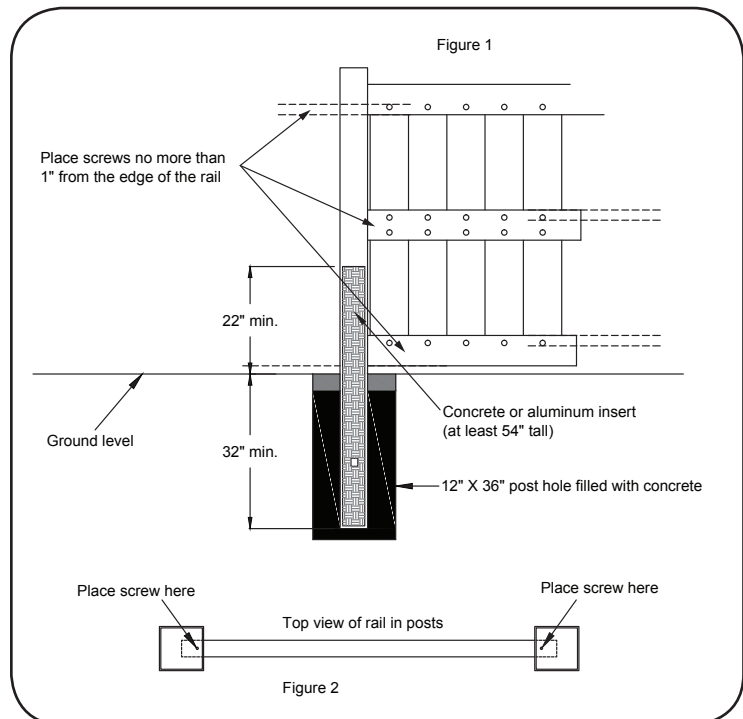
T&G Privacy with Mid-Rail - 110 MPH sustained winds with gusts to 130 MPH

Step 1 Reinforce each post to at least 22" above ground with either an aluminum insert (prior to installing the fence) OR fill each post with concrete (after installing the fence) as shown in figure 1. If using concrete, be sure to tape off the rails to prevent it from flowing into the rail.

Step 2 Install one #10 x 1" self-tapping stainless steel screw into the top and bottom of each 6" wide picket to secure the picket to the top and the mid-rails. Screws should be placed no more than 1" from the top or bottom of the rail. Be careful not to over tighten the screws.

Step 3 Repeat step 2 to secure the pickets between the mid-rail and the bottom rail.

Step 4 Install a screw inside the post on each side of the top rail as seen in figure 2.



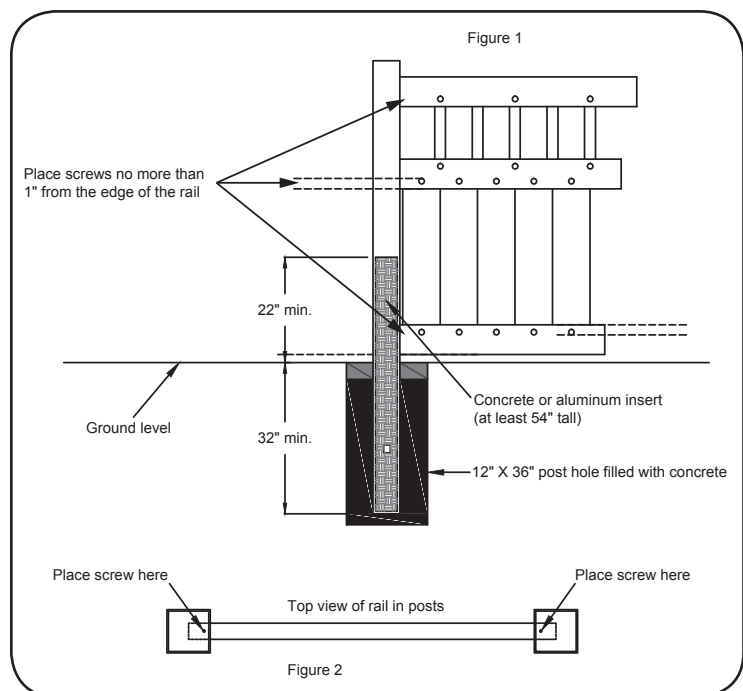
T&G Privacy with a Closed Spindle Top - 110 MPH sustained winds with gusts to 130 MPH

Step 1 Reinforce each post to at least 22" above ground with either an aluminum insert (prior to installing the fence) OR fill each post with concrete (after installing the fence) as shown in figure 1. If using concrete, be sure to tape off the rails to prevent it from flowing into the rail.

Step 2 Install one #10 x 1" self-tapping stainless steel screw into the top and bottom of each 6" wide picket securing it to the bottom and mid-rails. Screws should be placed no more than 1" from the top or bottom of the rail. Be careful not to over tighten the screws.

Step 3 Secure every other spindle by installing a screw through the top rail and through the midrail.

Step 4 Install a screw inside the post on each side of the top rail as seen in figure 2.



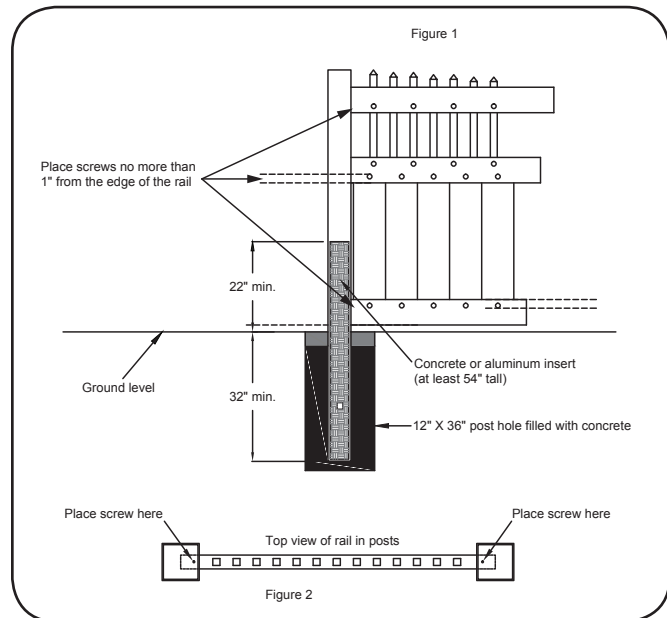
T&G Privacy with Picket Accent - 110 MPH sustained winds with gusts to 130 MPH

Step 1 Reinforce each post to at least 22" above ground with either an aluminum insert (prior to installing the fence) OR fill each post with concrete (after installing the fence) as shown in figure 1. If using concrete, be sure to tape off the rails to prevent it from flowing into the rail.

Step 2 Install one #10 x 1" self-tapping stainless steel screw into the top and bottom of each 6" wide picket securing it to the bottom and mid-rails. Screws should be placed no more than 1" from the top or bottom of the rail. Be careful not to over tighten the screws.

Step 3 Secure every other 1.5" wide accent picket by installing a screw through the top rail and through the mid-rail.

Step 4 Install a screw inside the post on each side of the top rail as seen in figure 2.

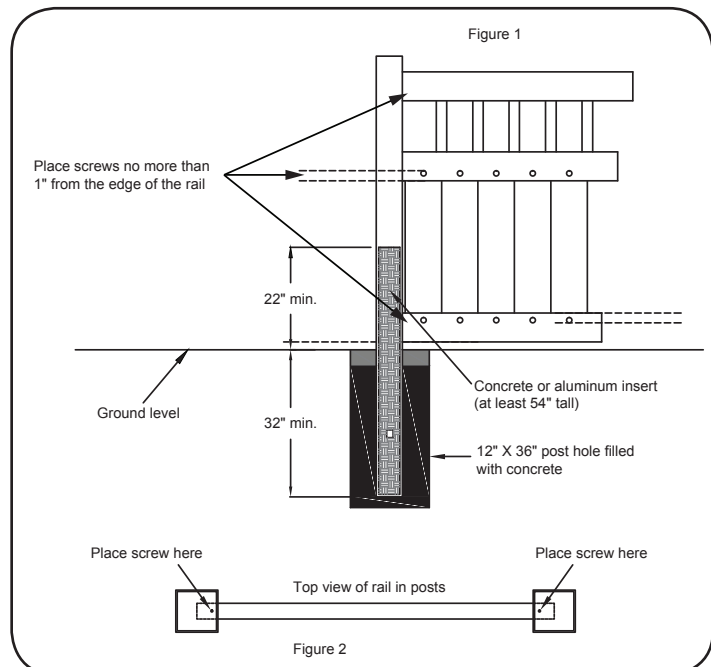


T&G Privacy with Aluminum Spindle Accent- 110 MPH sustained winds with gusts up to 130 MPH.

Step 1 Reinforce each post to at least 22" above ground with either an aluminum insert (prior to installing the fence) OR fill each post with concrete (after installing the fence) as shown in figure 1. If using concrete, be sure to tape off the rails to prevent it from flowing into the rail.

Step 2 Install one #10 x 1" self-tapping stainless steel screw into the top and bottom of each 6" wide picket to secure the picket to the top and the bottom rails. Screws should be placed no more than 1" from the top or bottom of the rail. Be careful not to over tighten the screws.

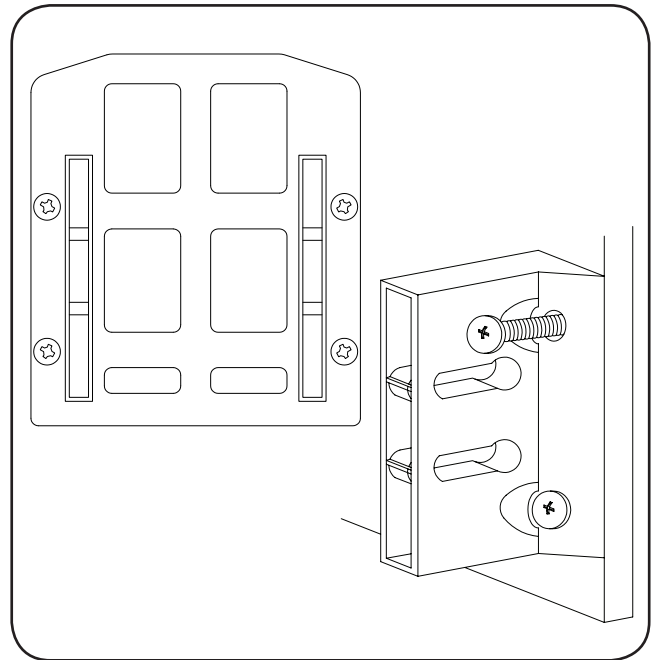
Step 3 Install a screw inside the post on each side of the top rail as seen in figure 2.



Please note, the purchaser has the sole responsibility to determine whether these products comply with applicable codes and is appropriate for the intended use. The purchaser and installer should review the intended use of the products with a licensed professional engineer to determine code compliance and intended use.

Section 2

1. Assemble the railing sections and slide the black mounting brackets over the vinyl rail ends.
2. Position the entire section between the posts aligning the bottom bracket with the line previously drawn.
3. Center the mounting bracket on the post and install the bottom of the mounting bracket on the drawn line.
4. Fasten the black mounting bracket to the post using the provided 1-1/2" screws, two on each side. Drill the screws into place **straight on** (not at an angle) to ensure the bracket covers fit properly. Install the screws perpendicular to the post as close to 90 degrees as possible. This ensures the screws will shift into the divots as they are tightened.
5. Fasten the vinyl rail to the mounting brackets using the provided 1" screws, two on each side of the rail. This will secure the bottom rail.



Note:

When installing the black mounting bracket ensure the screws fit into screwhead cutouts.

This step will be repeated on the top rail.

Section 3

1. Gently slide and snap the bracket covers over the rails.
2. If needed, alter the post height and install the post caps.

Find this in YouTube!

A helpful and more detailed video can be found in YouTube, search "ThreepieceA" or scan the QR code above.

