

durables[®]

Sterling Aluminum Post Kit

Installation Guide

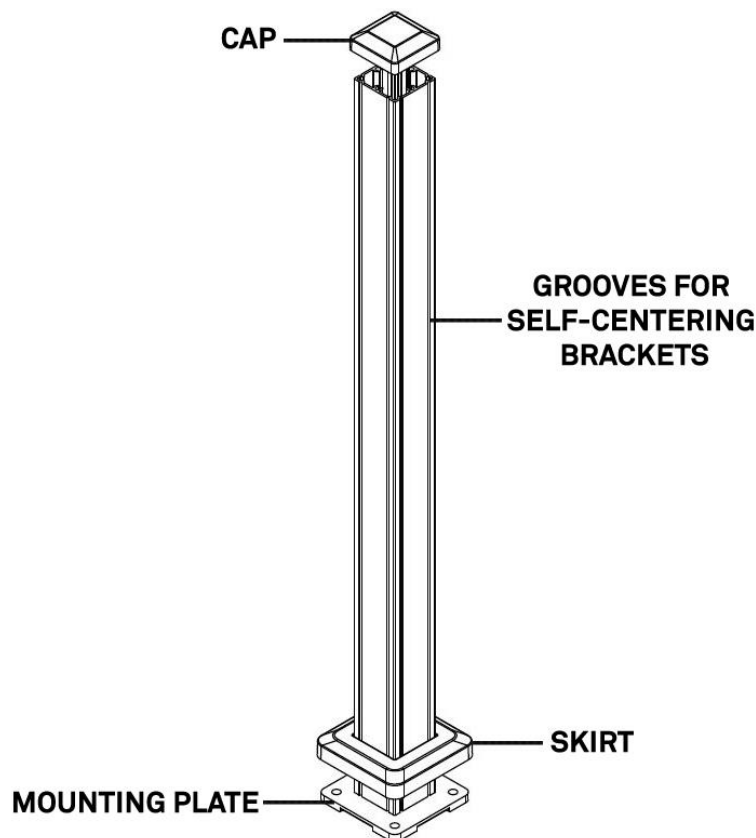
THE BEST CHOICE FOR STRONG & DURABLE RAILING SYSTEMS

Our exclusive manufacturing process ensures our aluminum railing will provide superior strength plus it is virtually maintenance free. This guide will help make your installation easy. For questions, please call 1-866-719-5782 and welcome to Durables®.

Please note:

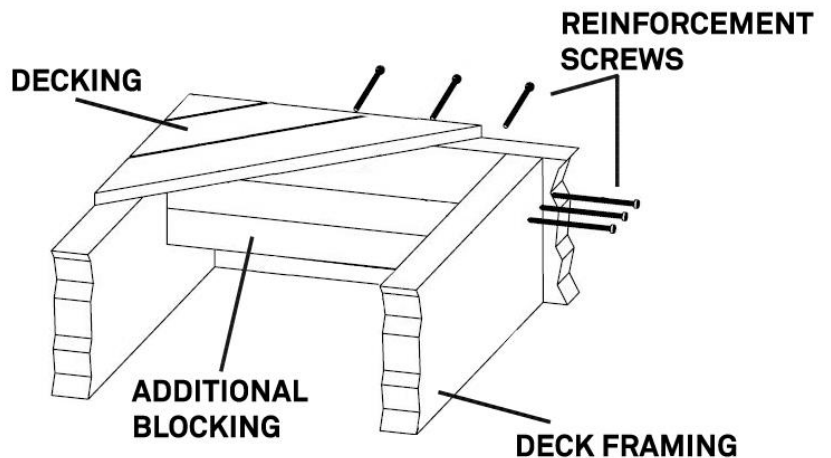
It is the responsibility of the installer to conform to local building codes and safety requirements. It is also the installer's responsibility to obtain all necessary building permits. All of our straight aluminum railing sections 8 ft. long and below meet IRC building codes. The purchaser and installer should review the intended use of the products with a licensed professional engineer to determine code compliance. Durables® or its distributors shall not be held liable for improper or unsafe installations.

These instructions are guidelines and do not cover every installation scenario. Review all instructions before starting railing installation. The installer may need to modify the exact installation method to meet unique site requirements. Railing has been tested by PEI and meets 2016 IRC Construction Code Standards.



Installation Tips:

1. Applying paint, other than manufacturer's touch up paint, will void warranty.
2. A miter saw with high tooth count carbide blade can be used to cut the aluminum. Cut slowly and use all safety precautions.
3. Where the aluminum base comes in contact with dissimilar materials, make sure the point of direct contact between other material/surface has a factory finish or heavy coat of alkali-resistant bituminous paint or equivalent coating before installation to prevent corrosion, which is not covered by warranty.
4. A multi-use adhesive, such as silicone, can be used to secure the post cap.
5. If installing on a wood deck, the post must be fastened into the structural frame of the deck. It will not be strong enough if fastened into a deck board. Blocking may need to be added for proper support.



Recommended Tools:

- Safety Glasses
- Tape Measure and Pencil
- Rubber Mallet
- Level
- Power Drill
- Phillips Drive Bit
- Miter saw with high tooth count carbide blade

Included Components

- (1) Post and Base
- (1) Top Cap
- (1) Post Skirt

Not Included

- Fasteners - Use 3/8" weather resistant anchors, lags or bolts (Note: Most wood lag and concrete bolt heads will allow the post skirt to seat properly. Ensure bolt head is not taller than 3/8" for proper fit of post skirt on post base.)
- Railing Kits (sold separately)

Installation:

Step 1 Attach the post to a structural surface using the appropriate 3/8" fasteners for your installation. Since the fasteners differ based on application they are not included.

Step 2 Ensure your post is level and plumb.

Step 3 Install the post skirt by snapping it in place at the base of the post. It's important that the post skirts are in place prior to installing the railing sections since they are one piece they cannot be added after the railing is installed.

Step 4 Install the post caps after all of the aluminum railing sections have been installed so that the post height can be altered if necessary.

