



Aluminum Fencing

Installation Guide

Always consult the following installation instructions as well as the CAD diagrams when installing your fence.

Thank you for choosing a Durables fence! We are proud to provide the highest quality aluminum available and are fully committed to providing you with superior service from the very first time we work together to long after we've delivered your product. This guide is designed the walk you through the installation process.

Before You Begin

- Check your local zoning laws. Local zoning laws and Home Owners Associations may regulate the location, style and height of your fence or even require a permit signoff beforehand.
- Contact your local utilities companies. You must let the utility company mark your property for electrical, gas or water lines clearly to avoid puncturing any unseen underground utilities.
- Pay to mark your property line.
Being proactive will save your time and money to avoid any disputes from neighbors.

Sketch Plan and Confirm Materials Requirements

- Step 1** First, draw or sketch out your fence plan on paper. This drawing will help you estimate materials and plan the location of corners and gates. Show the house, driveway, deck, and property lines.
- Step 2** Measure accurately with a tape measure and identify them on your sketch. (Layout should show fence lines and gate locations.)
- Step 3** Determine the number of sections and posts that are required.

The opening that is left for the gate should be the same as the width of the gate. A 48" walk gate's opening should be left for a 48" gate (the actual width of the gate is 46.6" to fit a 48" opening.)

Material Checklist

- String
- Rubber Mallet
- Peastone
- Shovel
- Stakes
- Concrete Mix
- Level
- Tape Measure
- Post Hole Digger
- Hacksaw

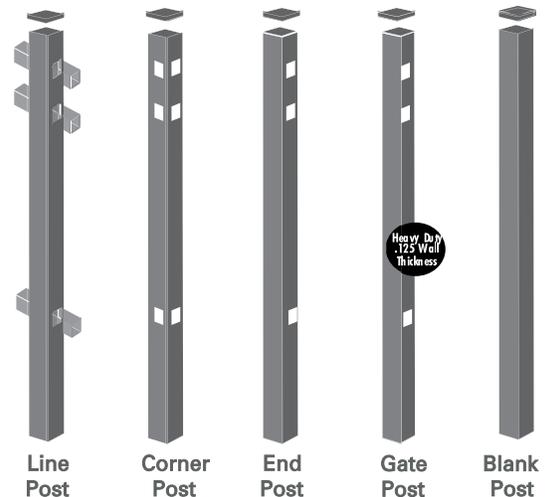
Line Post: Post with holes on two opposite sides to connect fence sections.

Corner Post: Used to connect two sections of the fence together to 90°.

End Post: Used to end a row of fence. Only one section of the fence will connect to the end post.

Blank Post: Has no holes and is used with a gate latch or hinges.

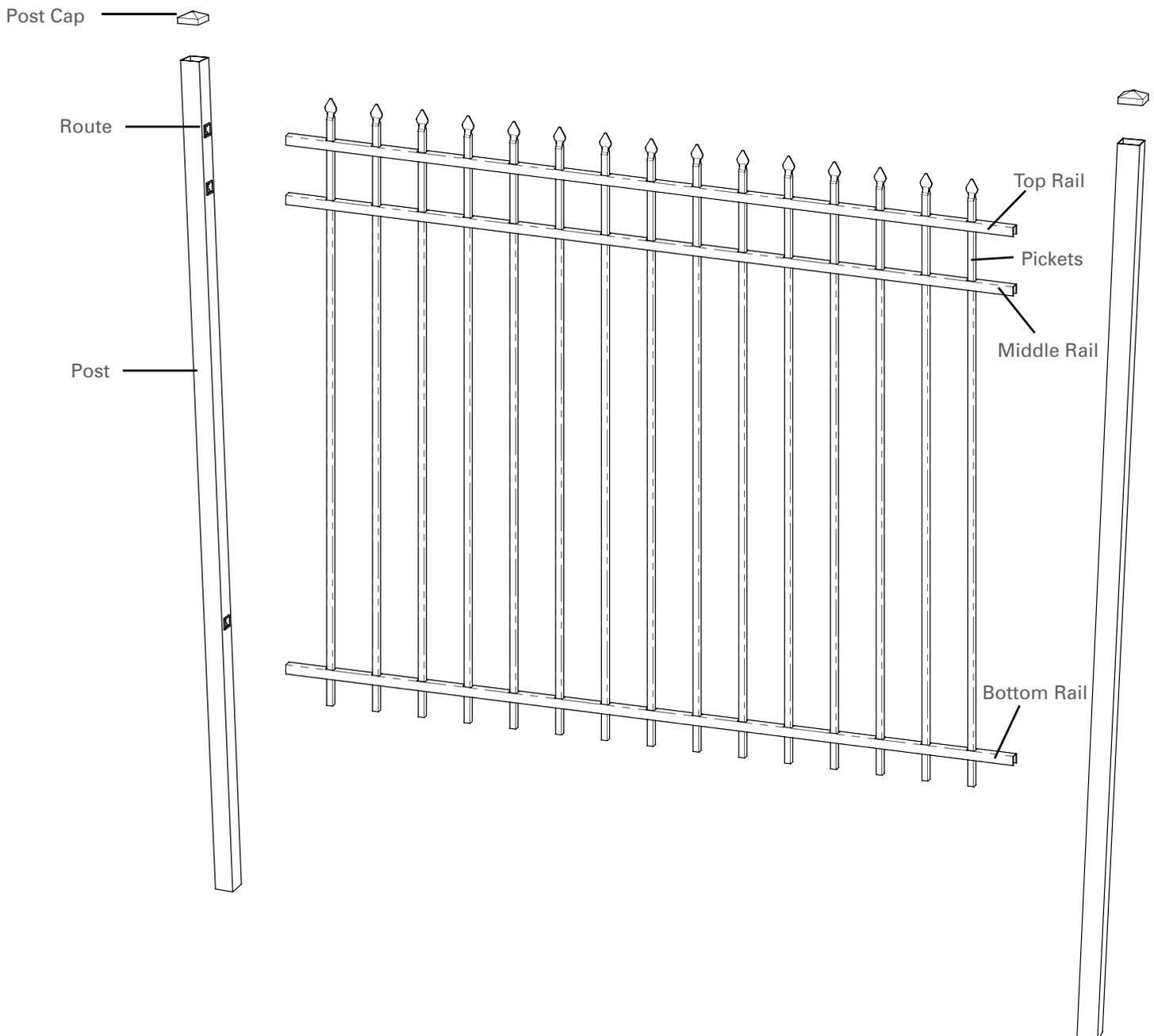
Heavy Duty Gate Post: Has a wall heavier than other posts to support the weight of gate (attached with hinges). Similar to an end post, the Heavy Duty Gate Post only has holes on one side.



Installation Tips

- Gates need to be installed on level ground.
- Gates and fence panels should be installed 2" off the ground for lawn maintenance or trimming.
- Once installed, the top of the post will be at the same height as the top of the tallest part of the fence panel.
- Separate and identify your posts. The rails from the fence panels will be inserted into the pre-routed holes on the posts.

Product Overview



Layout Installation

Step 1 The location of your gate will determine the layout of the posts for the fence line.
To make sure your fence run is straight, install line stakes and run a string line. The string line should be positioned on the side of the posts and be very tight.

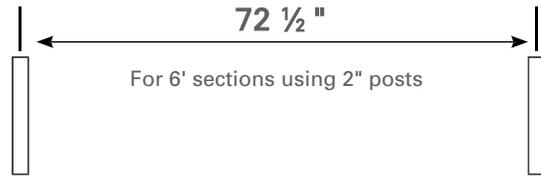
Step 2 Mark the location for each post with a stake. For residential fencing (1" side wall), leave 72 1/2" on center between each post. For commercial fencing (1.5" side wall), leave 71 1/2" on center between each post.

NOTE: If the space you left is less than a full panel, then you can cut down the panel to fit the space by using a hacksaw. (See Illustration)

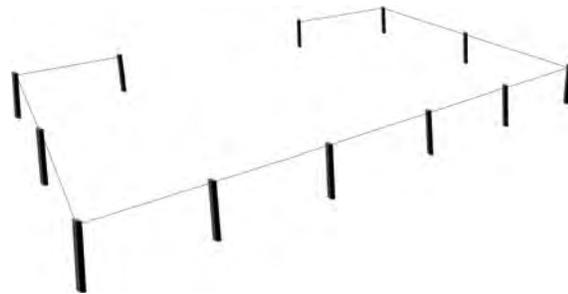
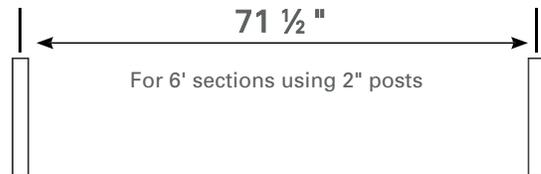
Step 3 Tie the string to each stake.

NOTE: The fence will likely need to be set up from the property line as required by your local building codes. (usually 2"-4")

Residential Grade (1" Side Wall)

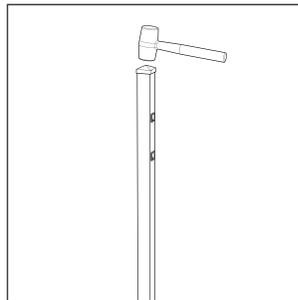


Commercial Grade (1.5" Side Wall)



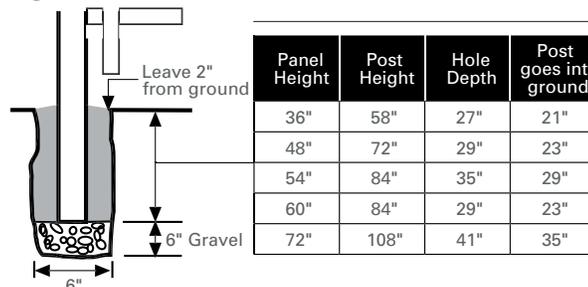
Post Installation

Step 1 Use a rubber mallet to drive the post caps onto the posts gently. Be careful not to damage the top of post.

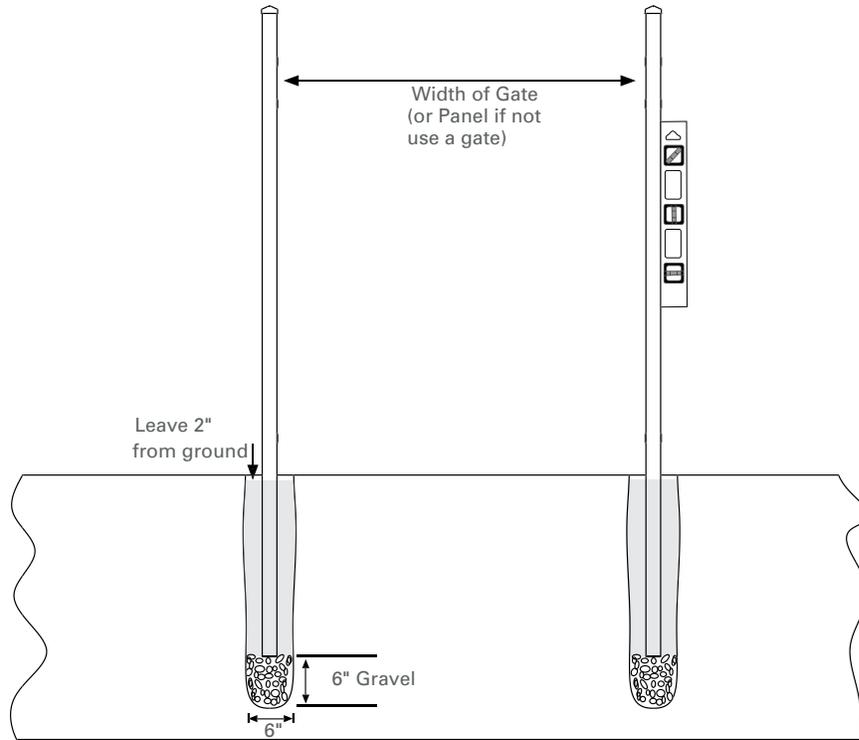


Step 2 Mix the concrete on the dry side to hold the posts in place faster. See chart below to determine the minimum depth for your fence.

NOTE: In areas where the frost occurs on the ground, the concrete foundations should be extended below the frost line (generally below 12"). This will account for frost "heave", in which ground water freezes and expands upwards. By providing this 12" drainage system, you can keep the frost heave from affecting the posts. Verify depths meet all the local building codes.



Step 3 Start the post installation with a gate, corner or end. Dig post holes to the appropriate depth, approximately 6" wide. Fill bottom of the hole with approximately 6" of peastone/gravel and place post onto gravel. Fill holes with concrete and tamp down each post and leave concrete about 2" from ground level.



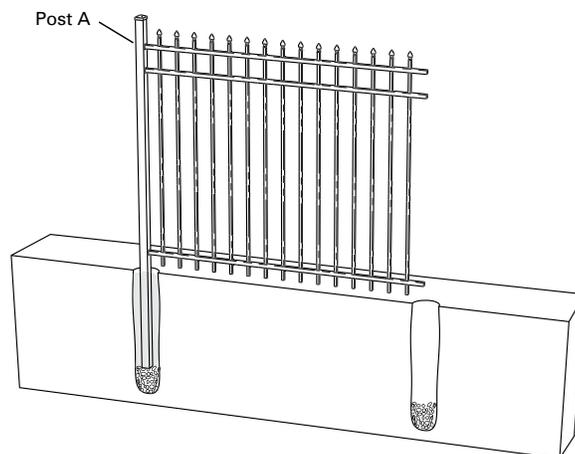
Step 4 If installing a gate, the opening between the posts should be 1 1/4" wider than the width of the gate to allow for the hinges. (Example: Use a 48" opening for a 46 3/4" wide gate.) Make sure the posts are level and plumb. Brace the posts as necessary while the concrete is setting.

Panel/ Post Installation

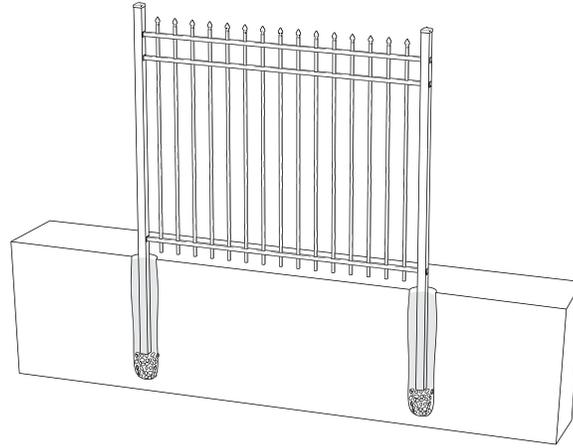
Step 1 CAUTION: When installing your fence or gate, we recommend installing 1 post and section at a time.

NOTE: We've found that it is better to dig the next post hole (and place 6" of gravel inside the hole) before attaching the panel to the previous post.

As the gate post (or corner post) is setting up, install the first fence panel. Insert the horizontal rails into the routed holes in post A. Place the rails as close to the posts as possible.

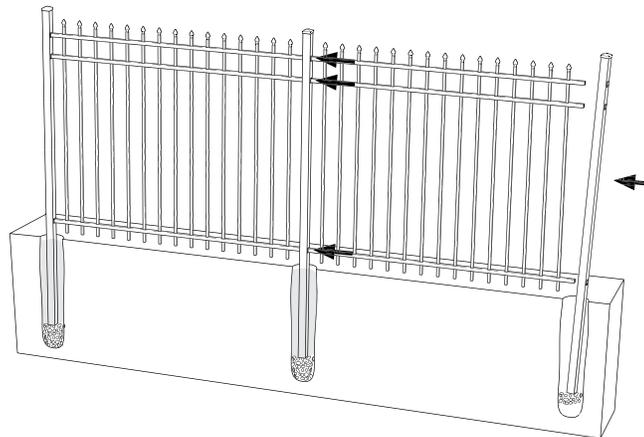


Step 2 Place the next post (line/corner/end) in the adjacent hole and slide the post onto the rails of the panel as firmly as possible. Pour concrete around that post and tamp it down, leaving the concrete about 2" from ground level.

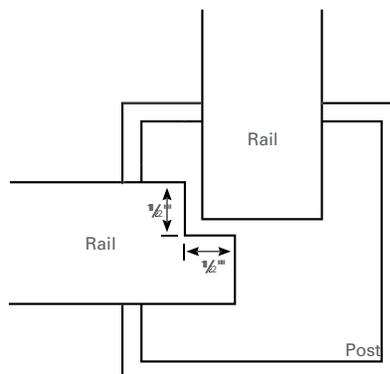


Step 3 Repeat by digging the next hole and filling it with 6" of gravel. Then, insert the next panel into the previously installed post. Place the next post into the hole and slide the post onto the rails of the panel as firmly as possible.

Pour concrete around that post and tamp it down, leaving concrete about 2" from ground level. Repeat until the end of the line.



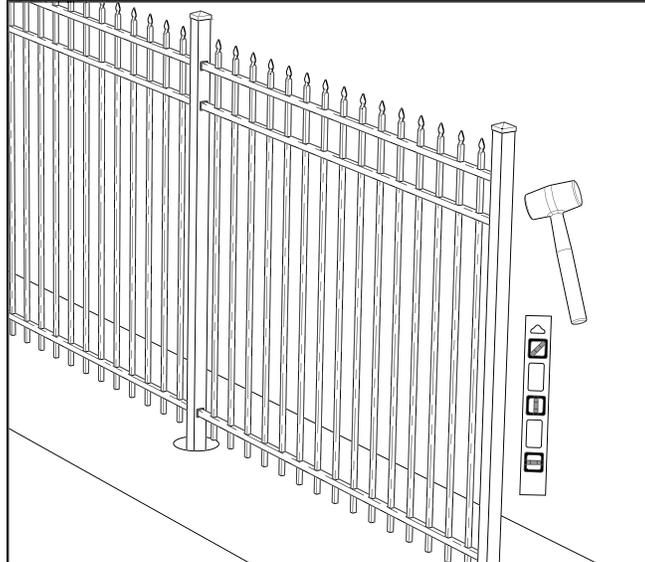
Step 4 Corner posts require some additional work on one of the fence panels. The rails of one panel need to be notched 1/2" to allow the rails to nest adequately within a corner installation.



Top view of corner post

Step 5

Once 3-4 panels are installed, check to make sure all the posts and panels are still horizontal. If correction is needed, use a rubber mallet while the concrete is still soft.



Step 6

After concrete has set, fasten the fence section to the posts by using #8 x 1" self-tapping screws. Be careful not to over-tighten the screws as the heads may be broken off or stripped out.

