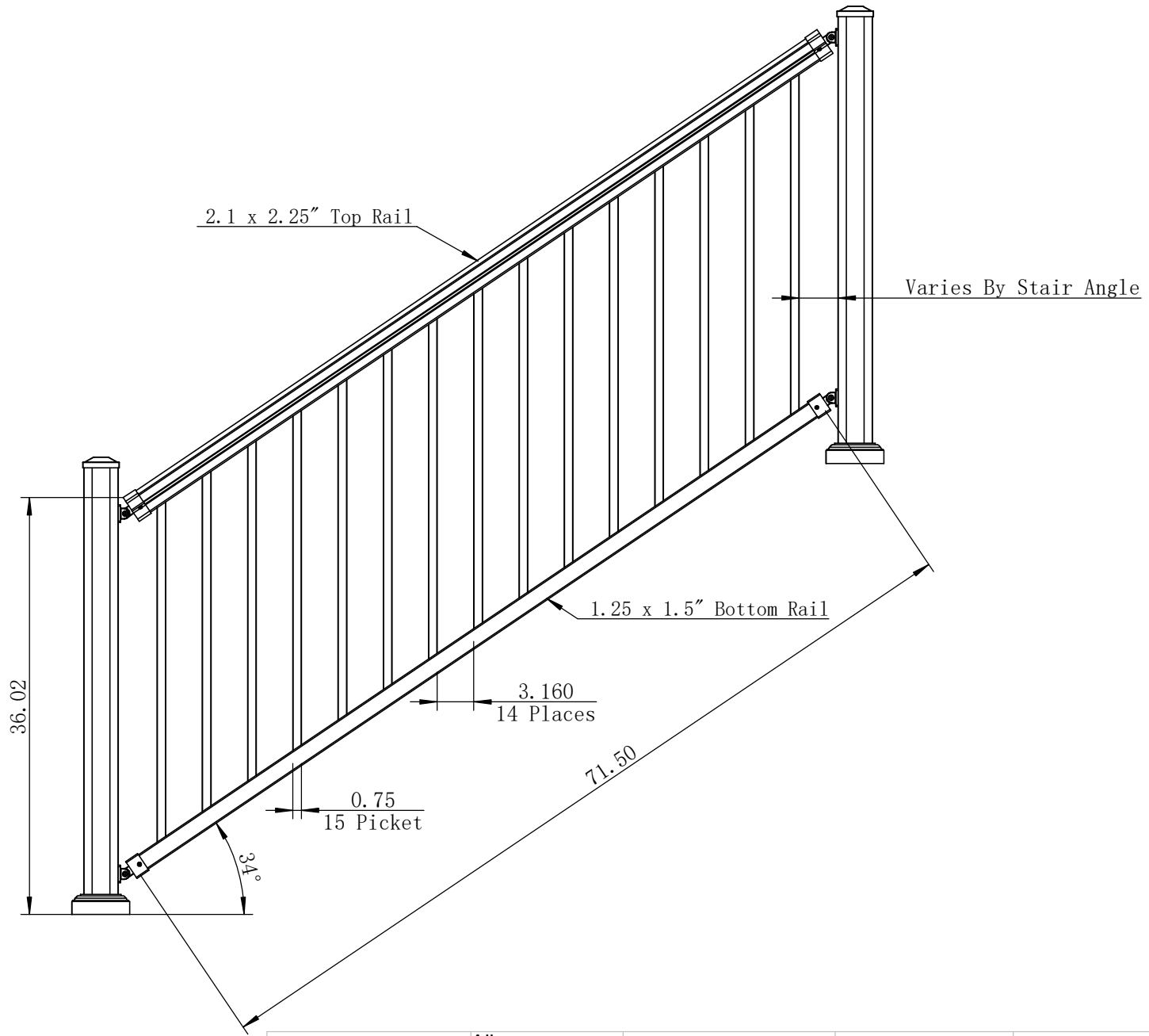
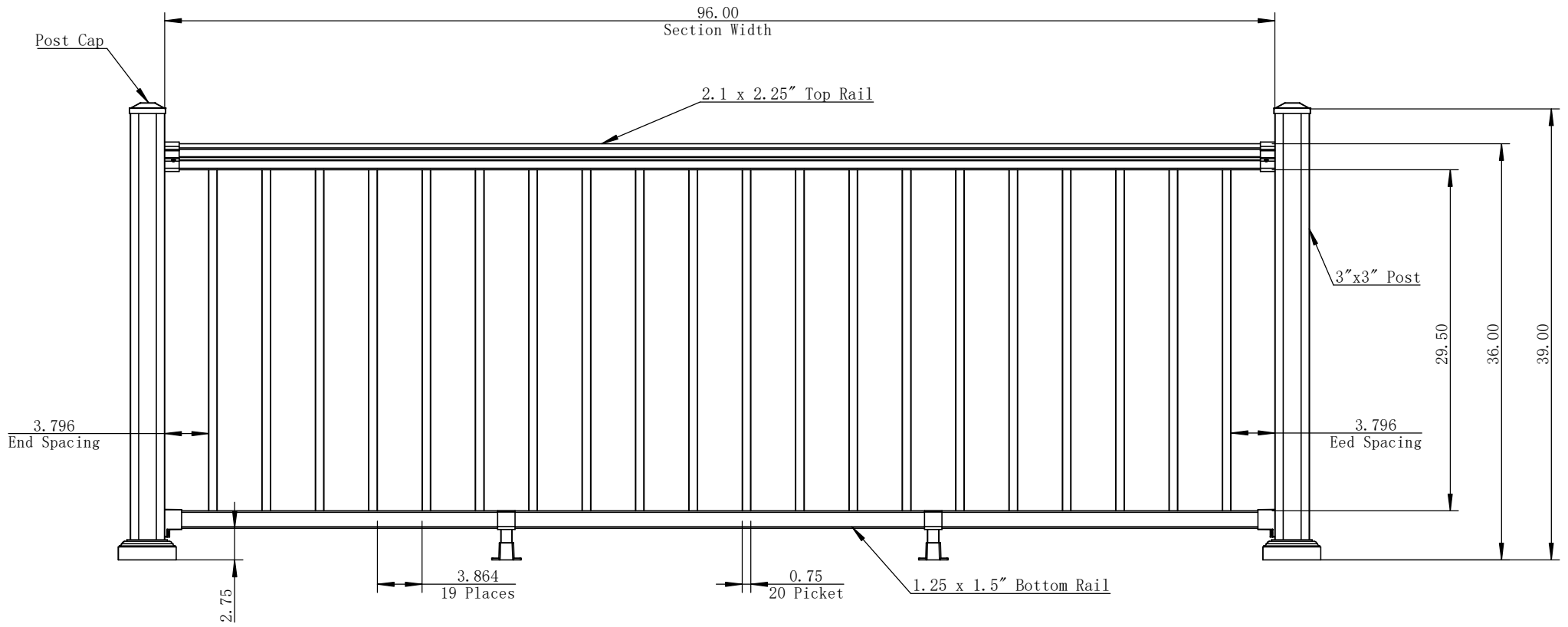


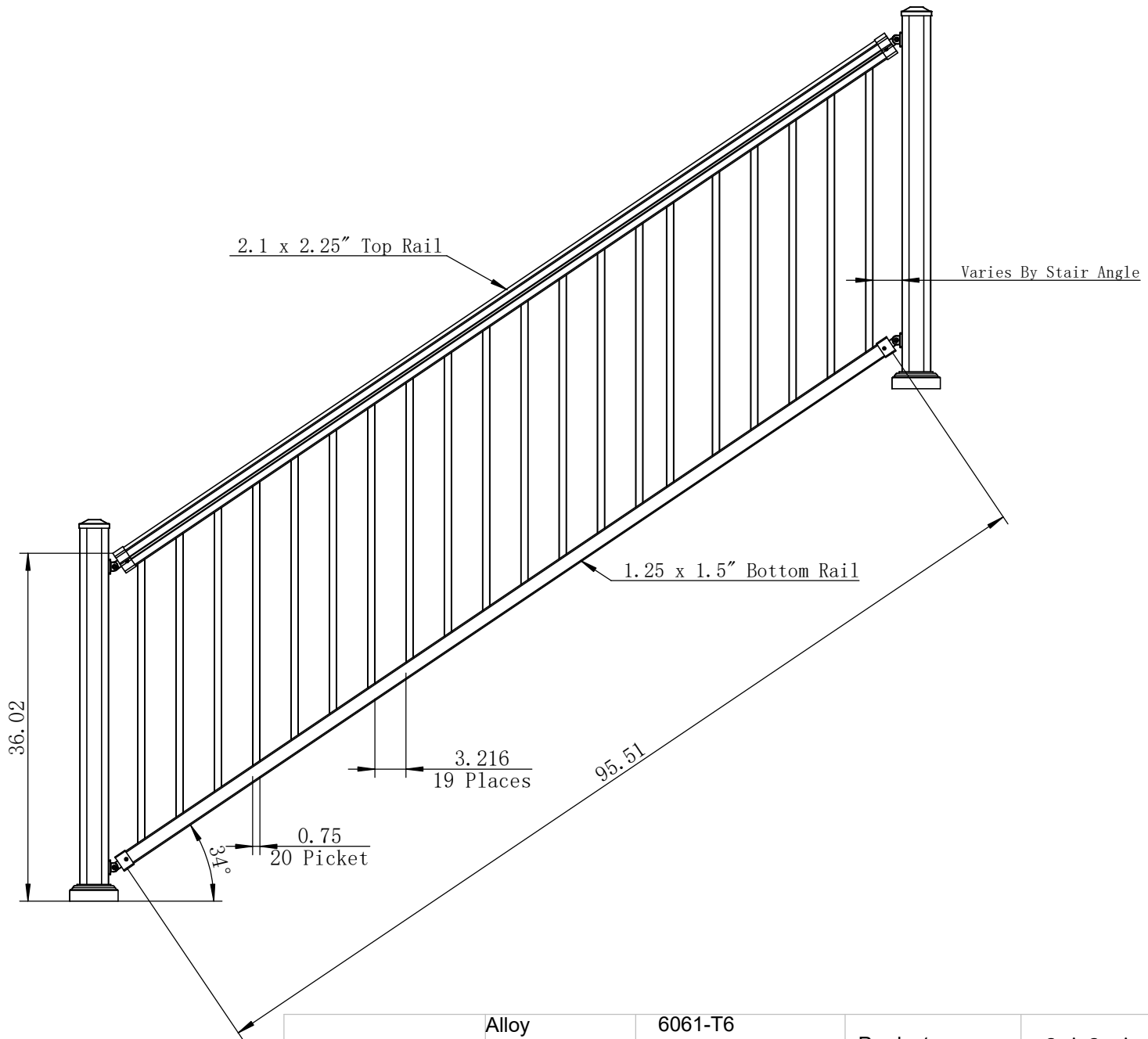
Alloy	6061-T6	Product name	Straight Section 36"H x 6'W	
Check by		Drawing NO	CBR-AR36-A6	
Approve by		Revision	A/0	Sheet 1 Of 1
Complete date				



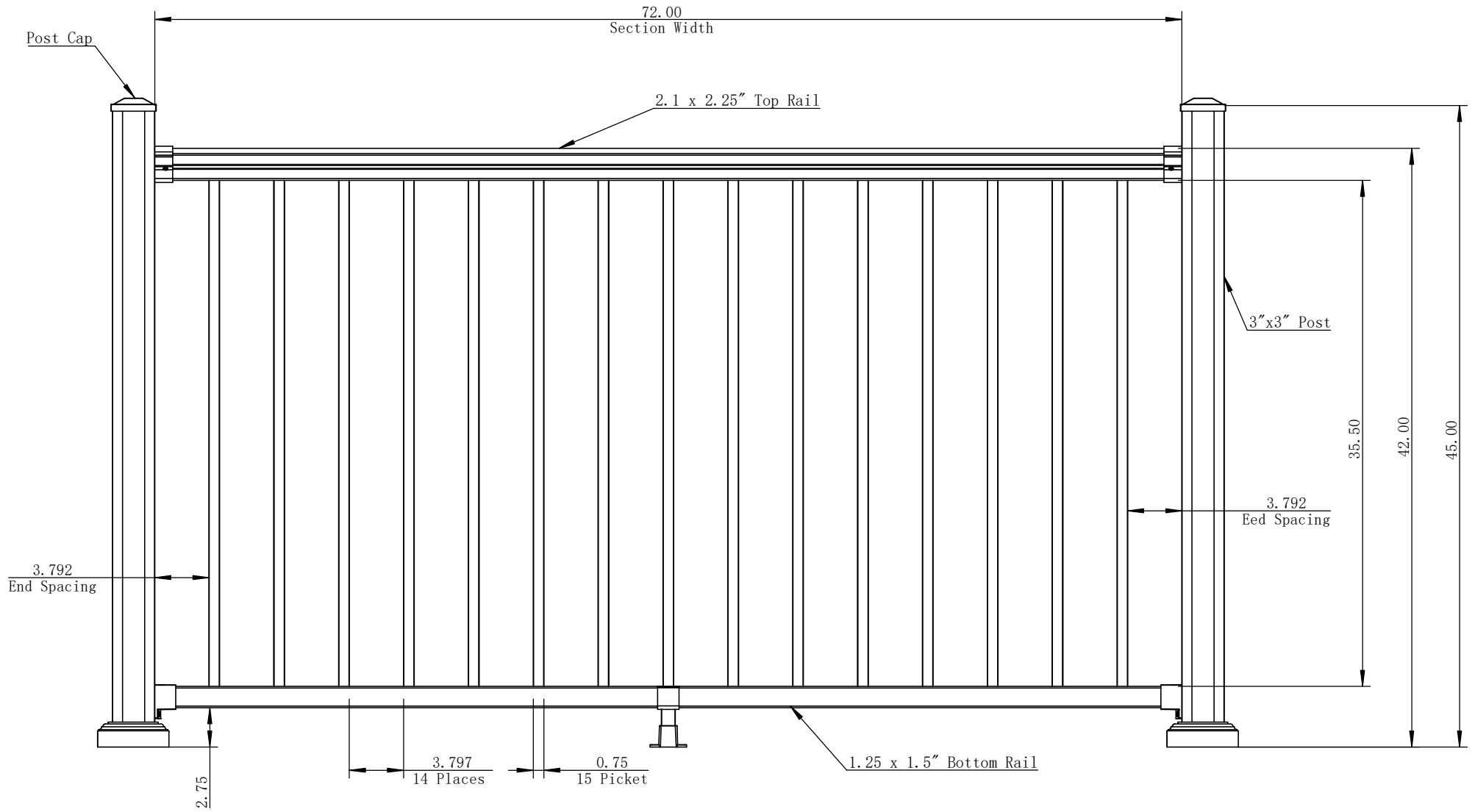
Alloy	6061-T6	Product name	Stair Section 36"H x 6"W	
Check by				
Approve by	BKH	Drawing NO	CBR-AR36-A6S	
Complete date		Revision	A/0	Sheet 1 Of 1



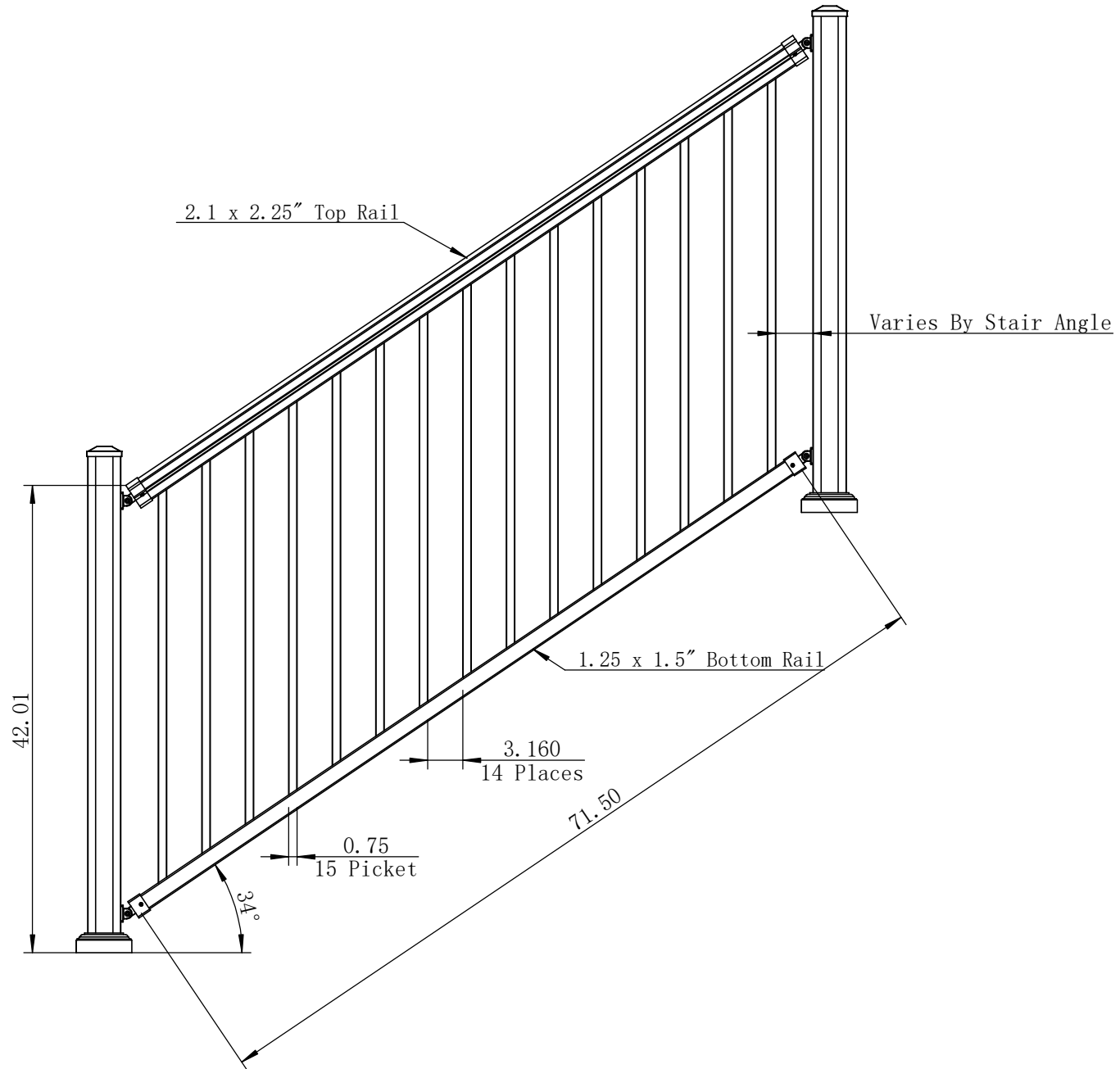
Alloy	6061-T6	Product name	Straight Section 36"H x 8'W	
Check by		Drawing NO	CBR-AR36-A8	
Approve by	BKH	Revision	A/0	Sheet 1 Of 1
Complete date				



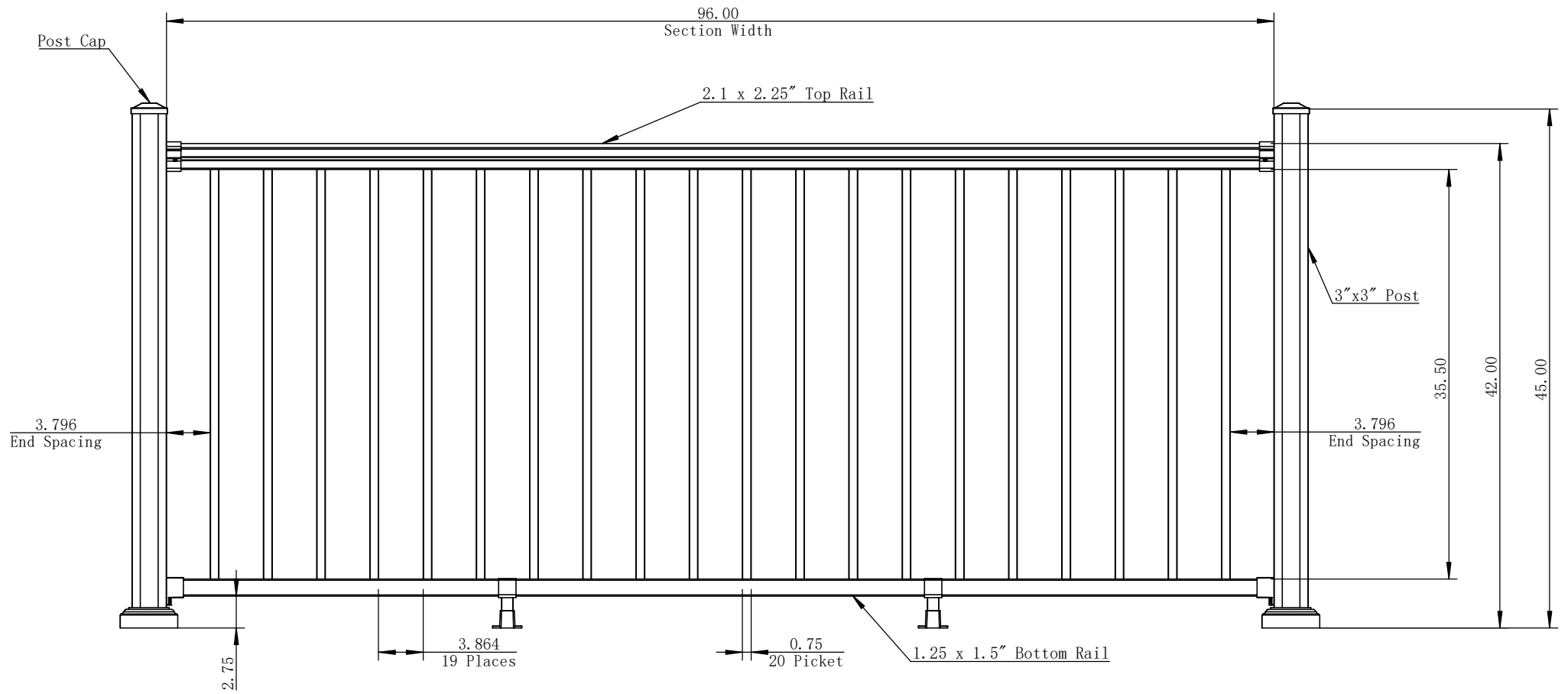
	Alloy	6061-T6	Product name	Stair Section 36"H x 8'W	
	Check by		Drawing NO	CBR-AR36-A8S	
	Approve by		Revision	A/0	Sheet 1 Of 1
	Complete date				



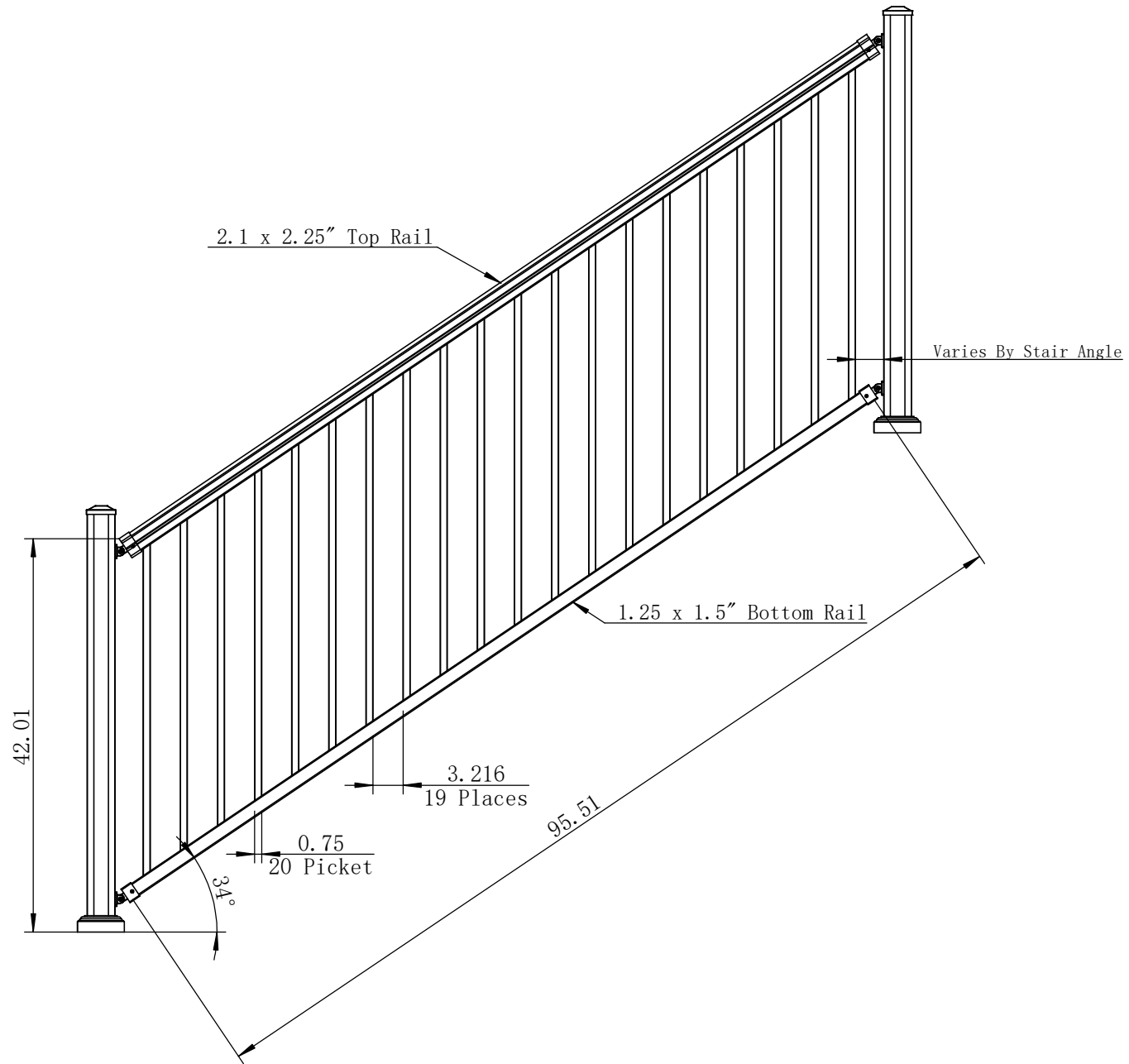
Alloy	6061-T6	Product name	Straight Section 42"H x 6"W	
Check by		Drawing NO	CBR-AR42-A6	
Approve by	BKH	Revision	A/0	Sheet 1 Of 1
Complete date				



	Alloy	6061-T6	Product name	Stair Section 42"H x 6"W	
	Check by		Drawing NO	CBR-AR42-A6S	
	Approve by		Revision	A/0	Sheet 1 Of 1
	Complete date				



Alloy	6061-T6	Product name	Straight Section 42"H x 8'W	
Check by		Drawing NO	CBR-AR42-A8	
Approve by		Revision	A/0	Sheet 1 Of 1
Complete date				



	Alloy	6061-T6	Product name	Stair Section 42"H x 8'W	
	Check by		Drawing NO	CBR-AR42-A8S	
	Approve by		Revision	A/0	Sheet 1 Of 1
	Complete date				