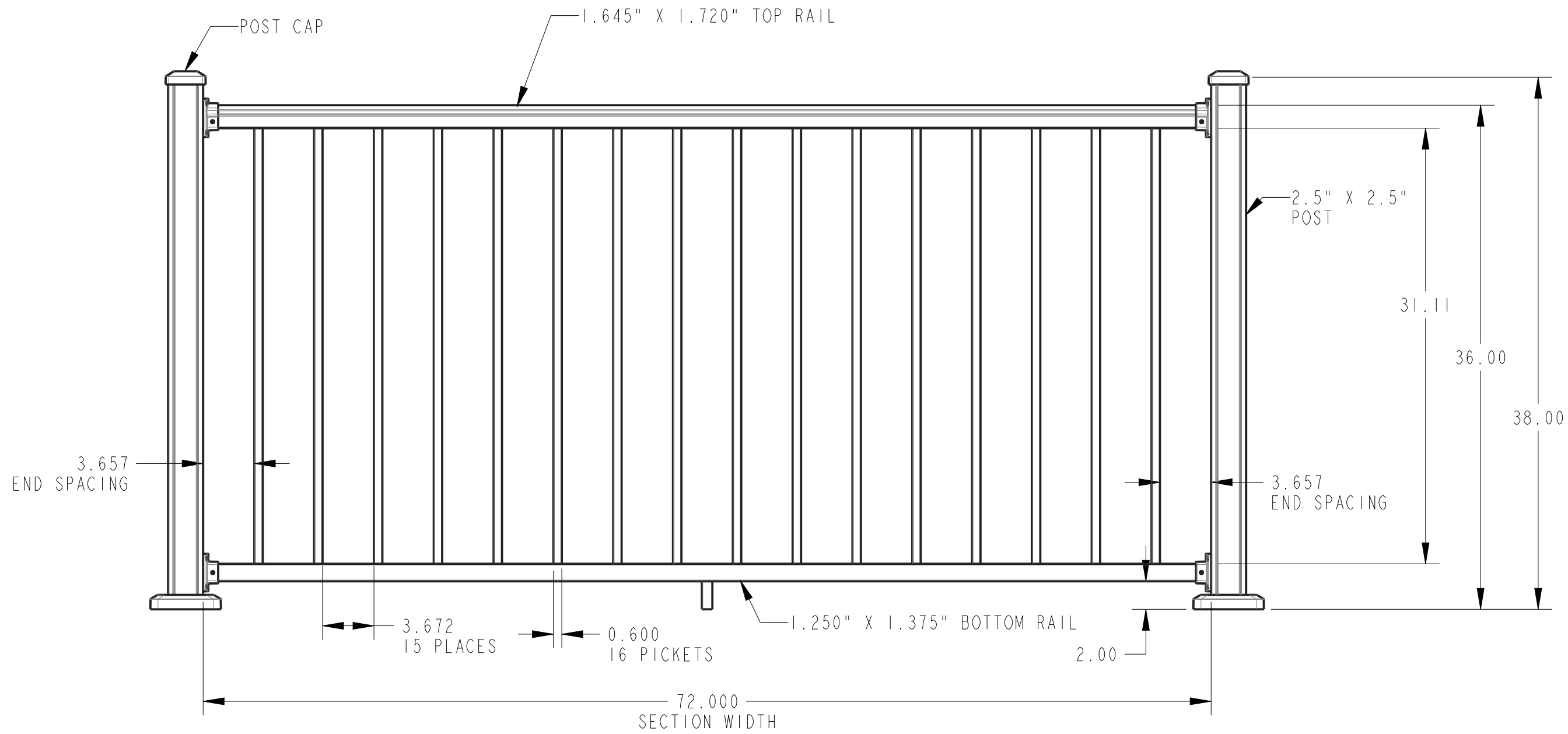


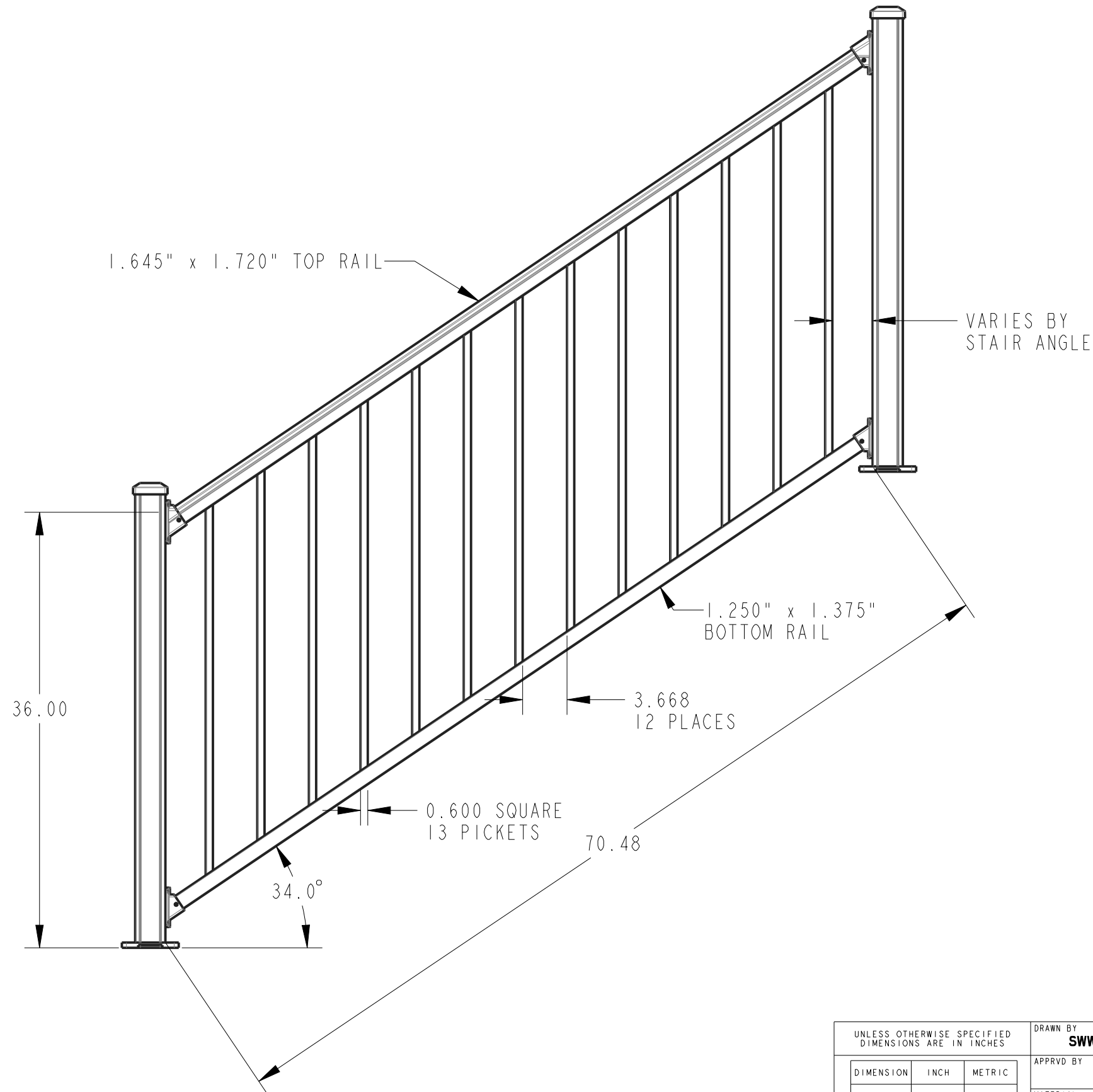
REV.	DESCRIPTION	DATE	BY
0	INITIAL RELEASE	171110	SWW
1	UPDATED PART NUMBER	180518	SWW



SCALE 0.125

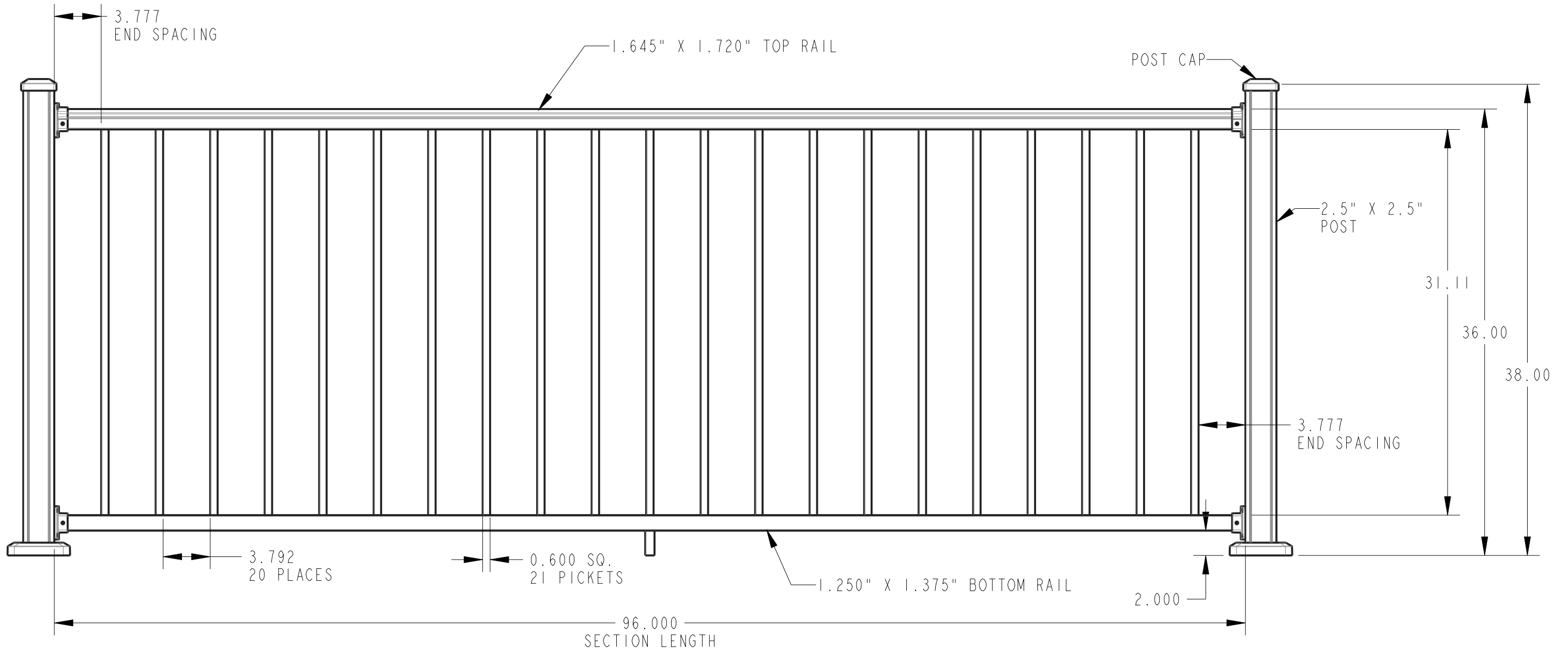
UNLESS OTHERWISE SPECIFIED DIMENSIONS ARE IN INCHES			DRAWN BY SWW APPRVD BY MATERIAL AS NOTED FINISH AS NOTED	DRAWN DATE 171110 APPRVD DATE COLOR AS NOTED TEXTURE AS NOTED	PART NAME STRAIGHT SECTION 36" H X 6' W PART NO. CXR-B36-A6 SCALE .150	USA VINYL, LLC 5795 GREEN POINT DRIVE GROVEPORT, OH 43215 THIS DRAWING CONTAINS INFORMATION THAT IS PROPRIETARY TO USA VINYL, LLC. THIS INFORMATION SHOULD NOT BE REPRODUCED, USED, OR DISCLOSED TO OTHERS WITHOUT WRITTEN PERMISSION FROM USA VINYL, LLC.
DIMENSION	INCH	METRIC	SHEET 1 OF 5		REV. 0	
2 PLACES	±0.02	±0.50				
3 PLACES	±0.010	±0.250				
ANGULAR	±0.50°	±0.50°				

REV.	DESCRIPTION	DATE	BY
0	INITIAL RELEASE	180518	SWW
-	-	-	-



UNLESS OTHERWISE SPECIFIED DIMENSIONS ARE IN INCHES			DRAWN BY SWW		DRAWN DATE 180518		PART NAME CXR-B36-A6S		USA VINYL, LLC 5795 GREEN POINT DRIVE GROVEPORT, OH 43215	
DIMENSION			APPRVD BY		APPRVD DATE		PART NO.		THIS DRAWING CONTAINS INFORMATION THAT IS PROPRIETARY TO USA VINYL, LLC. THIS INFORMATION SHOULD NOT BE REPRODUCED, USED, OR DISCLOSED TO OTHERS WITHOUT WRITTEN PERMISSION FROM USA VINYL, LLC.	
2 PLACES			-		-		-		-	
3 PLACES			AS NOTED		AS NOTED		AS NOTED		-	
ANGULAR			AS NOTED		AS NOTED		SCALE		SHEET	
							N/A		1 OF 1	
									REV. 0	

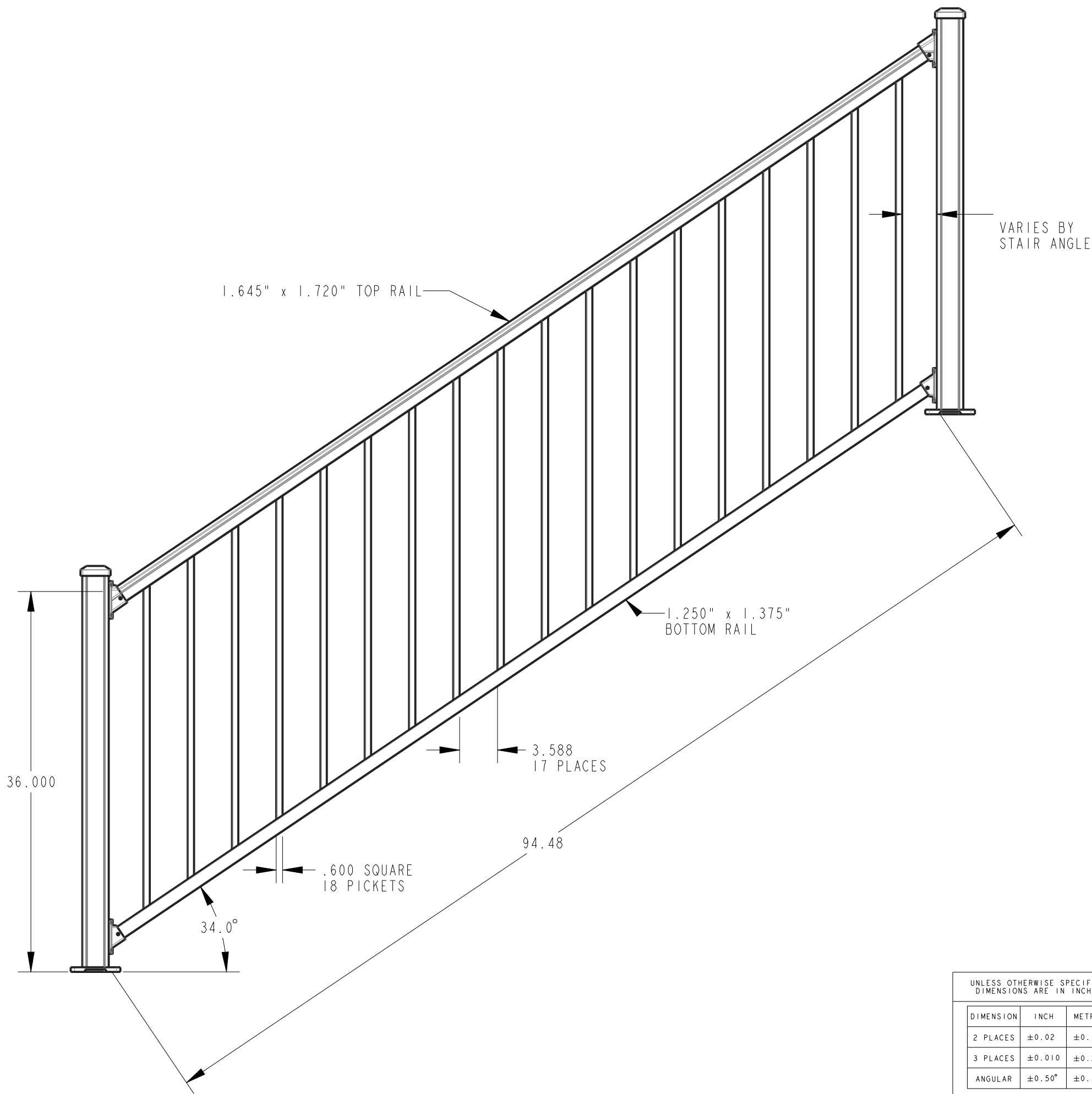
REV.	DESCRIPTION	DATE	BY
0	INITIAL RELEASE	171110	SWW
1	UPDATED PART NUMBER	180518	SWW



SCALE 0.125

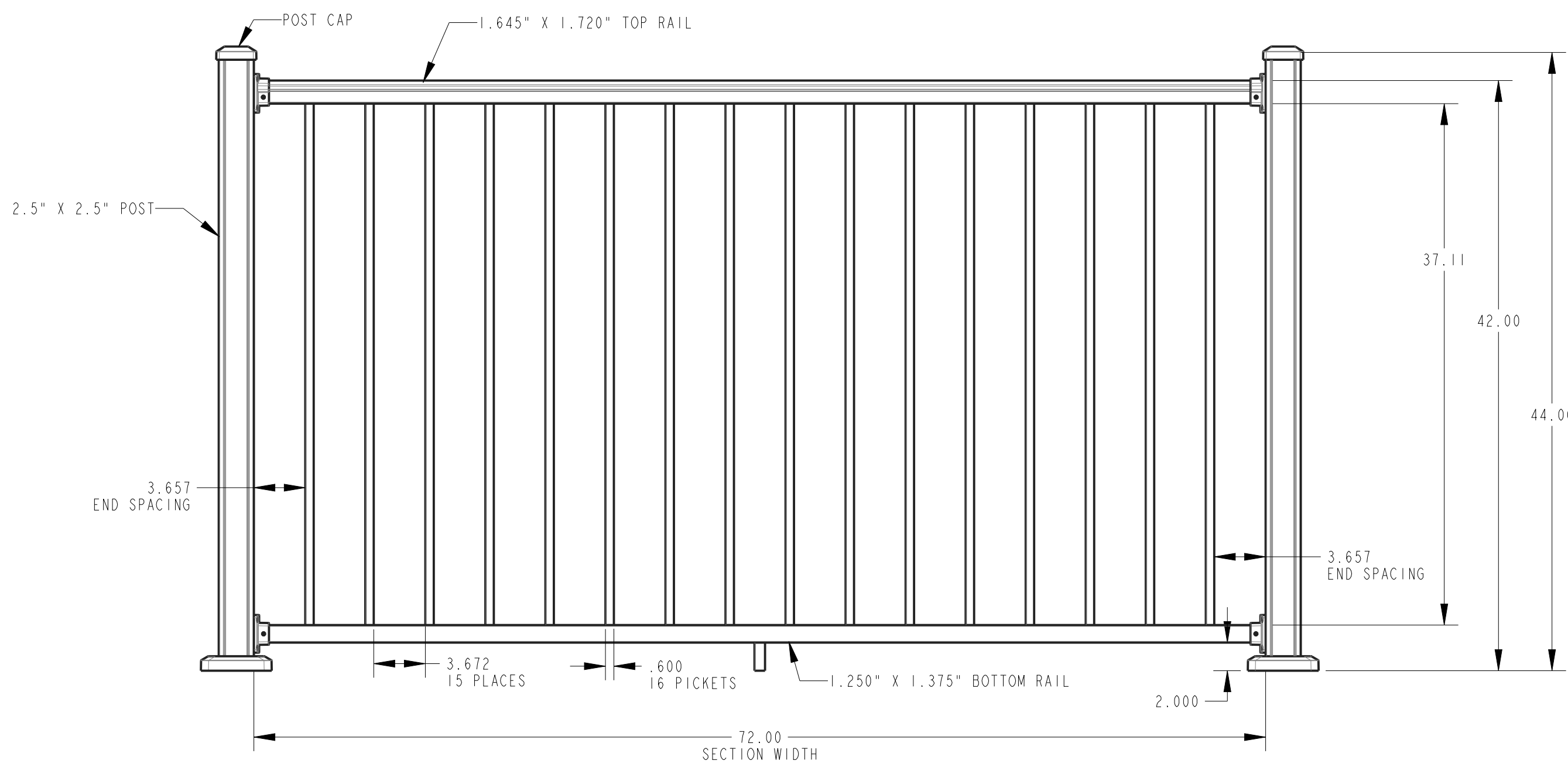
UNLESS OTHERWISE SPECIFIED DIMENSIONS ARE IN INCHES			DRAWN BY	DRAWN DATE	PART NAME		USA VINYL, LLC 5795 GREEN POINT DRIVE GROVEPORT, OH 43215
DIMENSION	INCH	METRIC	SWW	171110	STRAIGHT SECTION 36" H X 8' W		
2 PLACES	±0.02	±0.50	APPRVD BY	APPRVD DATE	PART NO.		THIS DRAWING CONTAINS INFORMATION THAT IS PROPRIETARY TO USA VINYL, LLC. THIS INFORMATION SHOULD NOT BE REPRODUCED, USED, OR DISCLOSED TO OTHERS WITHOUT WRITTEN PERMISSION FROM USA VINYL, LLC.
3 PLACES	±0.010	±0.250	AS NOTED	AS NOTED	CXR-B36-A8		
ANGULAR	±0.50°	±0.50°	AS NOTED	AS NOTED	SCALE	SHEET	
			AS NOTED	AS NOTED	.115	1 OF 1	REV. 0

REV.	DESCRIPTION	DATE	BY
0	INITIAL RELEASE	180524	SWW
-	-	-	-



UNLESS OTHERWISE SPECIFIED DIMENSIONS ARE IN INCHES			DRAWN BY -	DRAWN DATE 180524	PART NAME CXR-B36-A85	USA VINYL, LLC 5795 GREEN POINT DRIVE GROVEPORT, OH 43215
APPRVD BY			APPRVD DATE		PART NO. -	THIS DRAWING CONTAINS INFORMATION THAT IS PROPRIETARY TO USA VINYL, LLC. THIS INFORMATION SHOULD NOT BE REPRODUCED, USED, OR DISCLOSED TO OTHERS WITHOUT WRITTEN PERMISSION FROM USA VINYL, LLC.
MATERIAL AS NOTED		COLOR AS NOTED		SCALE N/A		
FINISH AS NOTED		TEXTURE AS NOTED		SHEET 1 OF 1	REV. 0	

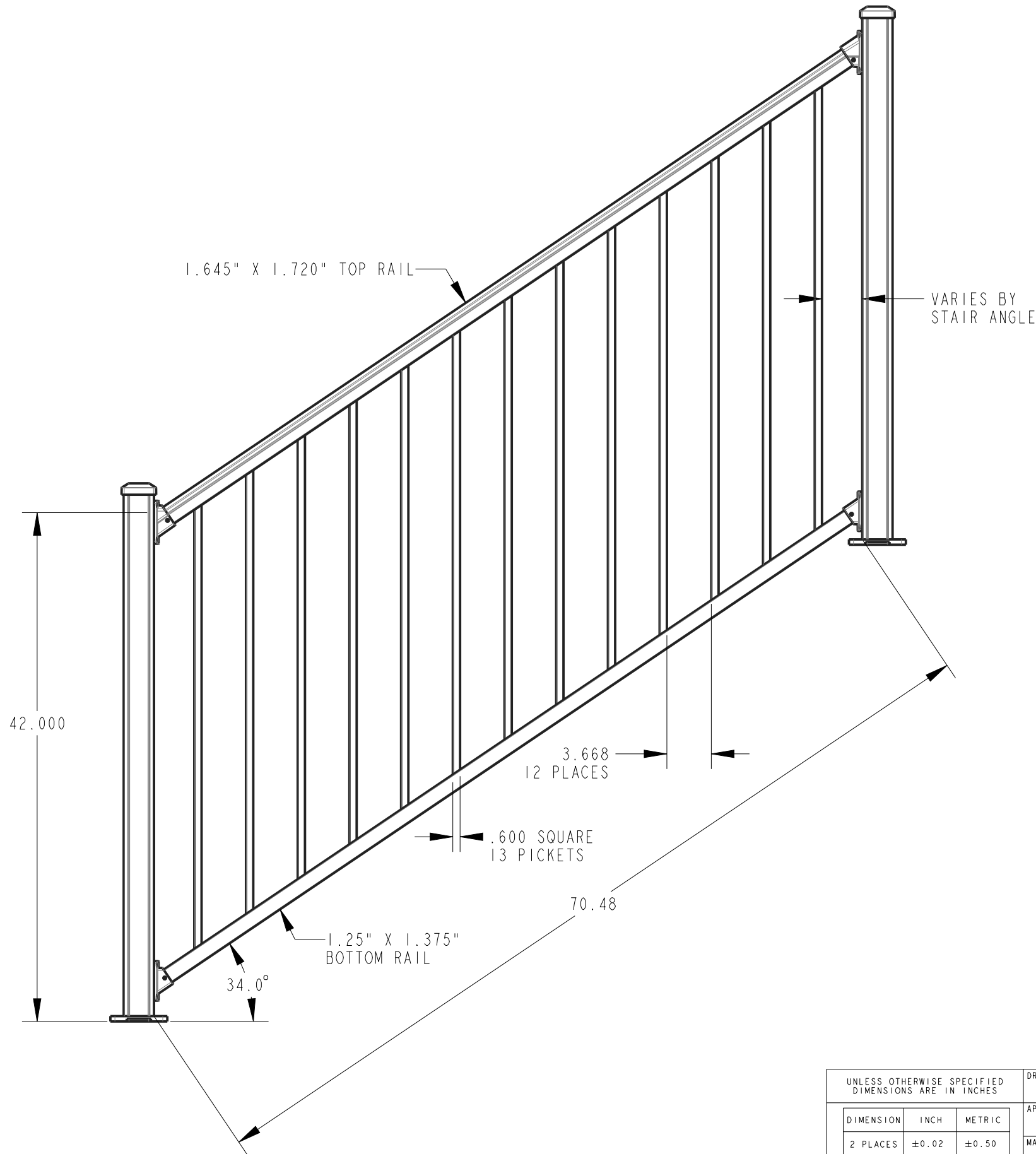
REV.	DESCRIPTION	DATE	BY
0	INITIAL RELEASE	171113	SWW
1	UPDATED PART NUMBER	180518	SWW



SCALE 0.125

UNLESS OTHERWISE SPECIFIED DIMENSIONS ARE IN INCHES			DRAWN BY	DRAWN DATE	PART NAME	USA VINYL, LLC 5795 GREEN POINT DRIVE GROVEPORT, OH 43215
DIMENSION	INCH	METRIC	SWW	171113	STRAIGHT SECTION 42" H X 6' W	
2 PLACES	±0.02	±0.50	APPRVD BY	APPRVD DATE	PART NO.	THIS DRAWING CONTAINS INFORMATION THAT IS PROPRIETARY TO USA VINYL, LLC. THIS INFORMATION SHOULD NOT BE REPRODUCED, USED, OR DISCLOSED TO OTHERS WITHOUT WRITTEN PERMISSION FROM USA VINYL, LLC.
3 PLACES	±0.010	±0.250	MATERIAL	COLOR	CXR-B42-A6	
ANGULAR	±0.50°	±0.50°	FINISH	TEXTURE	SCALE SHEET REV.	
			AS NOTED	AS NOTED	N/A	1 OF 1

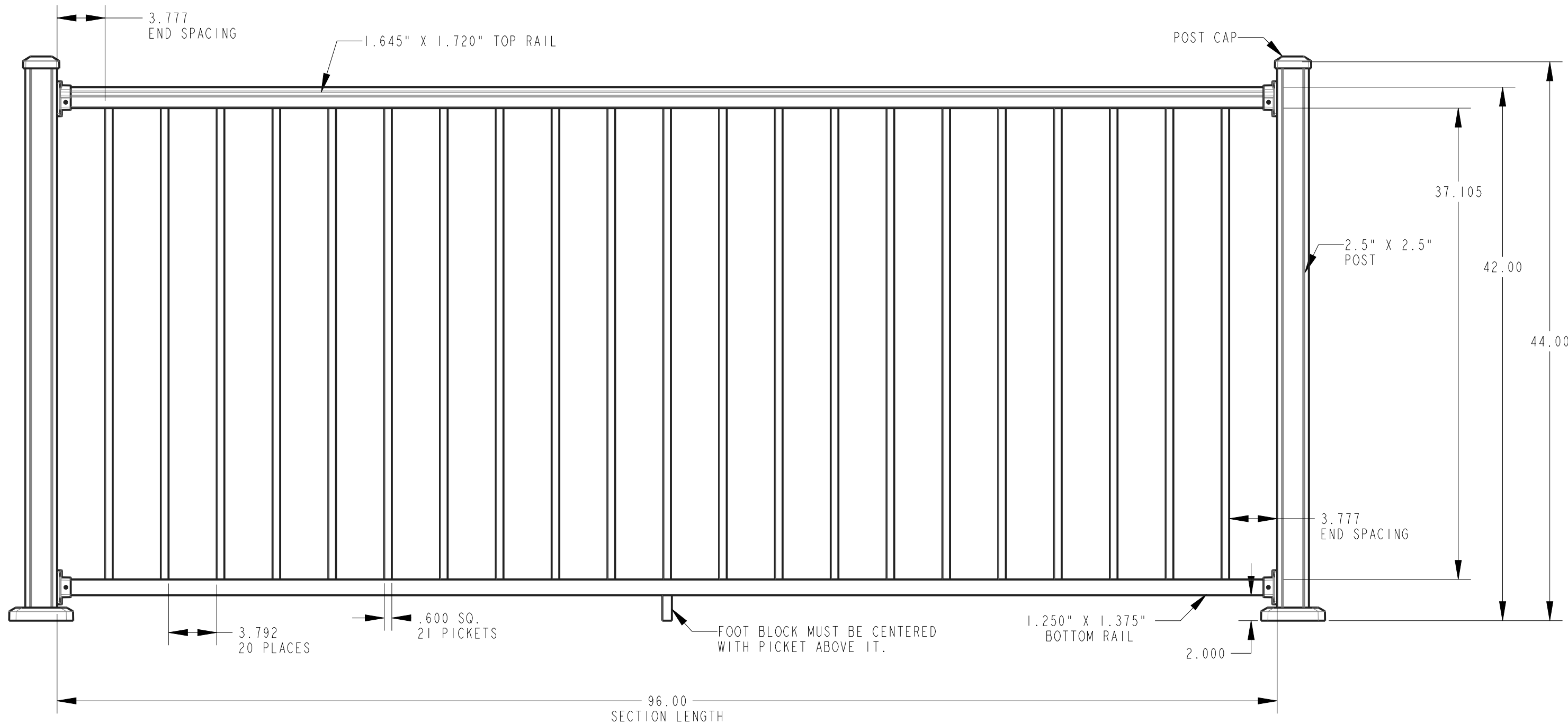
REV.	DESCRIPTION	DATE	BY
0	INITIAL RELEASE	180518	SWW
-	-	-	-



UNLESS OTHERWISE SPECIFIED DIMENSIONS ARE IN INCHES			DRAWN BY SWW	DRAWN DATE 180518	PART NAME CXR-B42-A6S	USA VINYL, LLC 5795 GREEN POINT DRIVE GROVEPORT, OH 43215
			APPRVD BY	APPRVD DATE	PART NO. -	THIS DRAWING CONTAINS INFORMATION THAT IS PROPRIETARY TO USA VINYL, LLC. THIS INFORMATION SHOULD NOT BE REPRODUCED, USED, OR DISCLOSED TO OTHERS WITHOUT WRITTEN PERMISSION FROM USA VINYL, LLC.
			MATERIAL AS NOTED	COLOR AS NOTED	SCALE .100	
			FINISH AS NOTED	TEXTURE AS NOTED	SHEET 1 OF 1	
					REV. 0	

DIMENSION	INCH	METRIC
2 PLACES	±0.02	±0.50
3 PLACES	±0.010	±0.250
ANGULAR	±0.50°	±0.50°

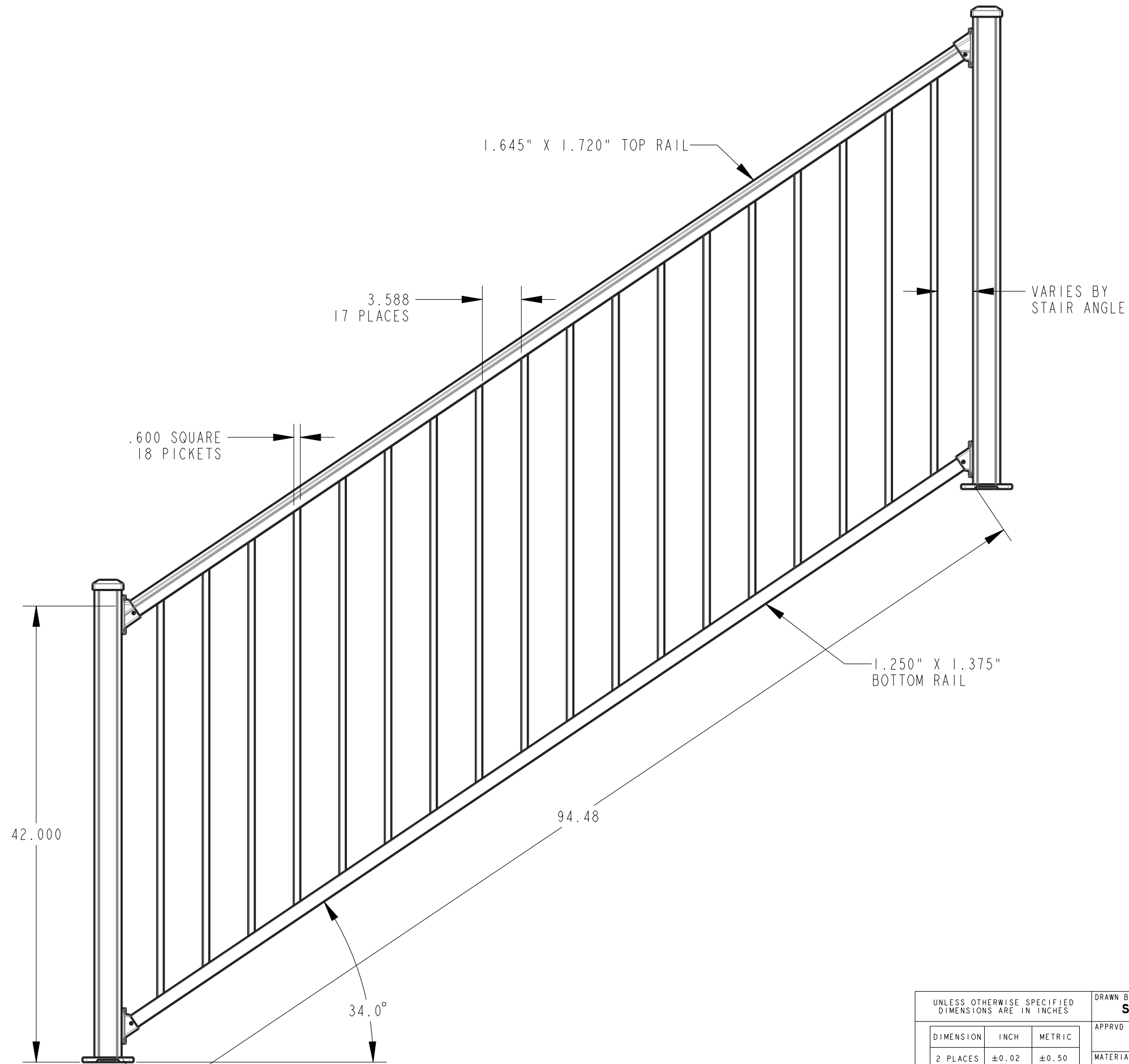
REV.	DESCRIPTION	DATE	BY
0	INITIAL RELEASE	171113	SWW
1	UPDATED PART NUMBER	180518	SWW



SCALE 0.125

UNLESS OTHERWISE SPECIFIED DIMENSIONS ARE IN INCHES			DRAWN BY SWW	DRAWN DATE 171113	PART NAME STRAIGHT SECTION 42" H X 8' W	USA VINYL, LLC 5795 GREEN POINT DRIVE GROVEPORT, OH 43215
			APPRVD BY	APPRVD DATE		
DIMENSION	INCH	METRIC	MATERIAL AS NOTED	COLOR AS NOTED	PART NO. CXR-B42-A8	THIS DRAWING CONTAINS INFORMATION THAT IS PROPRIETARY TO USA VINYL, LLC. THIS INFORMATION SHOULD NOT BE REPRODUCED, USED, OR DISCLOSED TO OTHERS WITHOUT WRITTEN PERMISSION FROM USA VINYL, LLC.
2 PLACES	±0.02	±0.50	FINISH AS NOTED	TEXTURE AS NOTED	SCALE N/A	
3 PLACES	±0.010	±0.250			SHEET 1 OF 1	
ANGULAR	±0.50°	±0.50°			REV.	

REV.	DESCRIPTION	DATE	BY
0	INITIAL RELEASE	180524	SWW
-	-	-	-



UNLESS OTHERWISE SPECIFIED DIMENSIONS ARE IN INCHES			DRAWN BY	DRAWN DATE	PART NAME		USA VINYL, LLC 5795 GREEN POINT DRIVE GROVEPORT, OH 43215
DIMENSION	INCH	METRIC	SWW	180524	CXR-B42-A8S		
2 PLACES	±0.02	±0.50	APPRVD BY	APPRVD DATE	PART NO.		THIS DRAWING CONTAINS INFORMATION THAT IS PROPRIETARY TO USA VINYL, LLC. THIS INFORMATION SHOULD NOT BE REPRODUCED, USED, OR DISCLOSED TO OTHERS WITHOUT WRITTEN PERMISSION FROM USA VINYL, LLC.
3 PLACES	±0.010	±0.250	AS NOTED	AS NOTED	-		
ANGULAR	±0.50°	±0.50°	AS NOTED	AS NOTED	SCALE	SHEET	
			AS NOTED	AS NOTED	N/A	1 OF 1	REV. 0